

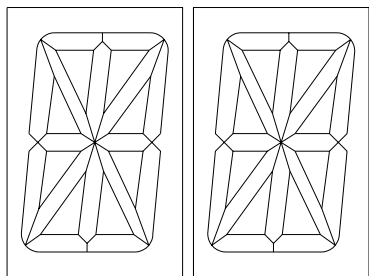
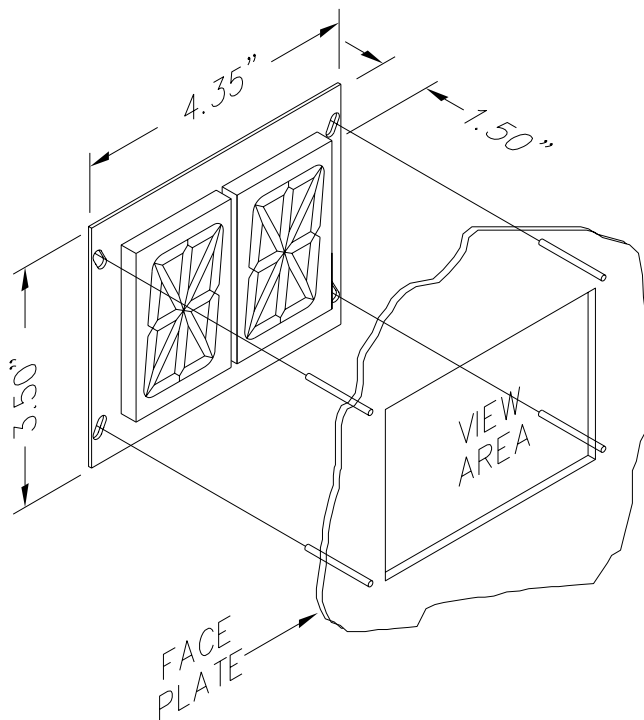


C.E. Electronics, Inc.  
 2107 Industrial Drive  
 Bryan, OH 43506  
 PH (419) 636-6705 FX (419) 636-2516  
 www.ceelectronics.com

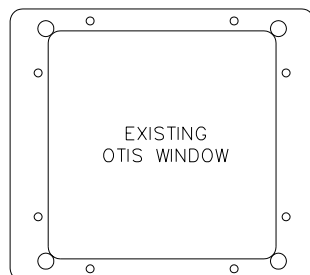
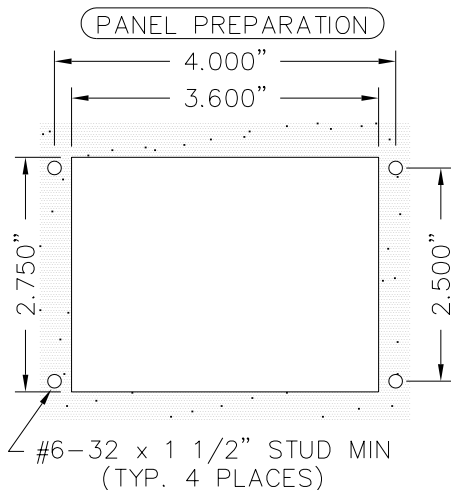
# LO220-X/MO220-X

Ver. 1 Rel. 05/31/02

DIRECT  
REPLACEMENTS



2" LED DISPLAY



CUTOUT TOLERANCE: +.020  
- 0.0

## 2" LED DISPLAY

LED display indicator for floor position. Any alphanumeric character can be displayed in either single or double digit floor designations.

### Typical applications:

- Replacement for existing Otis style display
- Also works with Micro Comm series Elevonic 401 drivers

### Features:

- Latched inputs
- Passing chime output
- Cross wire protected
- No external power supply needed
- Available in red and green

TO ORDER:-SPECIFY LO220 - X X

COLOR:  
"R" = RED  
"G" = GREEN

### INPUT CONNECTION

DIRECT OTIS HOOKUP VIA 4 PIN  
AND 6 PIN PLUGS

LENS:  
"R" = RED  
"G" = GRAY  
"X" = NONE

OTIS CLOCK DATA  
RUNS OFF EXISTING OTIS CONTROLLER  
WITH NO ADDITIONAL HOOKUP.

TO ORDER:-SPECIFY MO220 - X X

COLOR:  
"R" = RED  
"G" = GREEN

### INPUT CONNECTION

MICRO COMM NODE

LENS:  
"R" = RED  
"G" = GRAY  
"X" = NONE

### NOTE:

1. This is not a stand alone unit. Must be used in conjunction with a MCCU controller.
2. Requires a Micro Comm driver.