

> OVETC-XX
OTIS SPECTRA SERIES
SURFACE MOUNT METAL



OTIS
3.0" LED EXTENDED ARROW

Long life, solid state bi-color arrow for lanterns, 100,000 hour rated life. Accepts existing signals over the Otis RSL link. The unit has a double digit 2" display. It includes a bi-color arrow which is green in the up direction and red in the down with matching side bars for 180° viewing. The unit is also equipped with an arrival gong. The programming is dip switch selectable.

TYPICAL APPLICATIONS:

- > Hall and car lanterns
- > Pl. combo w/ 180° Viewing angle

FEATURES:

- > Bi-color 3" arrow
- > 2" characters
- > Solid side bar/arrow
- > 180° viewing angle lantern
- > 1 year factory warranty
- > Conforms to ADAAG 4.10.4
- > Includes gong
- > RSL input
- > ECA capable

METAL:

- > 70100040 (Vertical)

OTIS

Otis Elevator Company

Newberry Road

Bloomfield, CT

Ph: 860.676.6000

www.otisworldwide.com

Otis Worldwide





C.E. Electronics, Inc.
 2107 Industrial Drive
 Bryan, OH 43506
 PH (419) 636-6705 FX (419) 636-2516
 www.ccelectronics.com

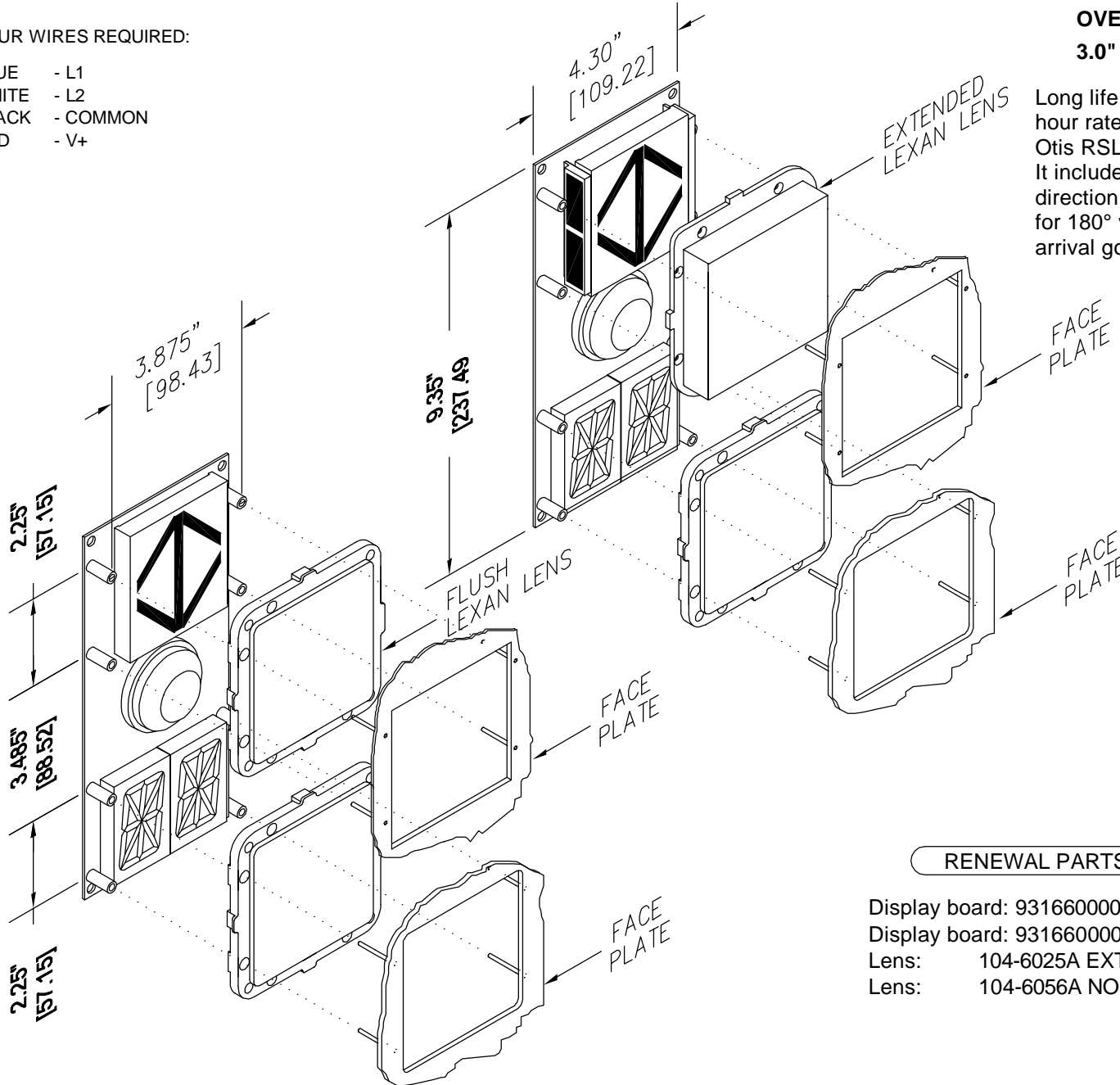
OVETC-XX

Ver. 2 Rel. 10/05/05

OTIS

FOUR WIRES REQUIRED:

- BLUE - L1
- WHITE - L2
- BLACK - COMMON
- RED - V+



OVETC-XX

3.0" LED EXTENDED ARROW

Long life, solid state bi-color arrow for lanterns, 100,000 hour rated life. Accepts existing signals over the Otis RSL link. The unit has a double digit 2" display. It includes a bi-color arrow which is green in the up direction and red in the down with matching side bars for 180° viewing. The unit is also equipped with an arrival gong. The programming is dip switch selectable.

Typical Applications

- Hall and car lanterns
- P.I. combo w/180° Viewing angle

Features

- Bi-color 3" arrow
- 2" characters
- Solid side bar/arrow
- 180° viewing angle lantern
- 1 year factory warranty
- Conforms to ADAAG 4.10.4
- Includes gong
- RSL input
- ECA capable

TO ORDER - SPECIFY OVETC-XX

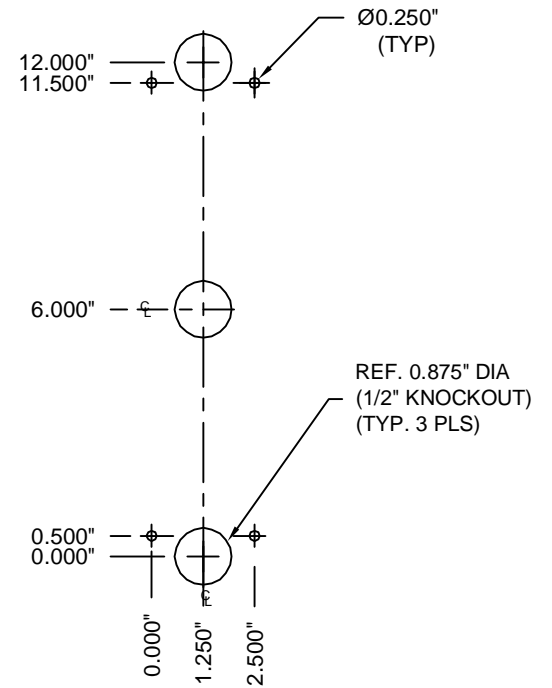
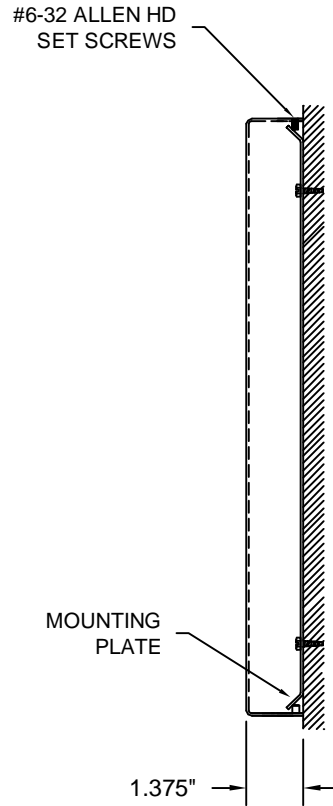
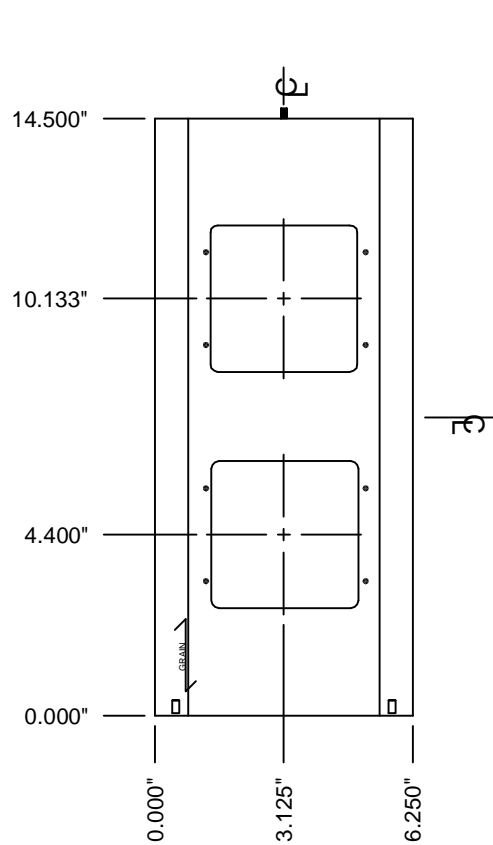
RENEWAL PARTS

- Display board: 931660000 = RED
- Display board: 931660001 = GREEN
- Lens: 104-6025A EXT.
- Lens: 104-6056A NON EXT.

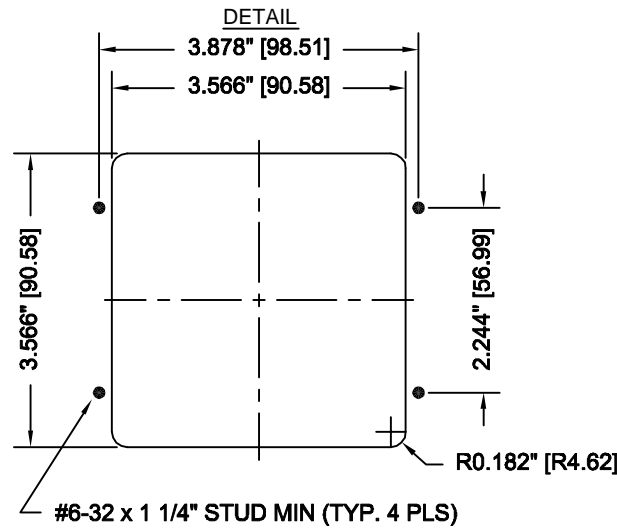
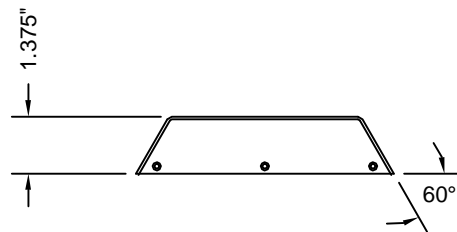
E = EXTENDED
 F = FLUSH

LED COLOR:
 "R" = RED
 "G" = GREEN

COVER PLATE



CUT-OUT & MTG. DETAIL



NOTES:

- #4 STAINLESS STEEL, PAN TYPE COVER, 16 GAUGE .060
- VERTICAL GRAIN
- BACK PLATE INCLUDED

LENS NUMBER:	BOARD # & REV:
APPROVED BY:	
Signature: _____	
Date: _____	
Company: _____	

DATE DRAWN: 10/25/06	LAST DATE REVISED:	SCALE:	PART #:
DRAWN BY: D.W.S.	TOLERANCE UNLESS OTHERWISE SPECIFIED: +0.015,-0.015		 C.E. ELECTRONICS, INC. 2107 Industrial Drive Bryan, Ohio 43506 (419) 636-6705
REQUESTED BY: C.S.	TOLERANCE FOR CUTOUT (WINDOW): +0.020,-0.000		
TITLE: OTIS SPECTRA SERIES SURFACE MOUNT METAL			DWG. NO. 70100040
			REV:

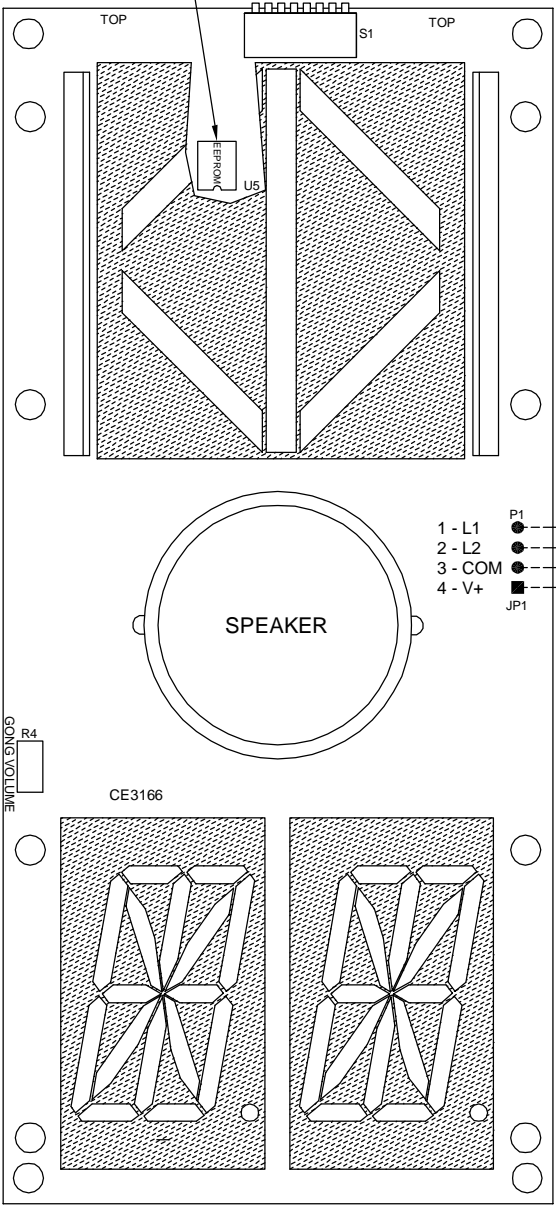
OVETC

JOB# _____

THE EEPROM IS USED TO DISPLAY DIFFERENT CHARACTERS THAN ARE RECEIVED. USE THE "OCDL.EXE" PROGRAM TO CREATE EEPROM DATA.

CHART TO SELECT ADDRESS WITH DIP SWITCH

VALUE	32	16	8	4	2	1	ADDRESS
DIP SWITCH #	7	6	5	4	3	2	ADDRESS
0	0	0	0	0	0	0	INVALID
0	0	0	0	0	0	0	INVALID
0	0	0	0	0	0	0	INVALID
0	0	0	0	0	0	0	INVALID
0	0	0	1	0	0	0	ADDRESS #4
0	0	0	1	0	1	0	ADDRESS #5
0	0	0	1	1	0	0	ADDRESS #6
0	0	0	1	1	1	0	ADDRESS #7
0	0	1	0	0	0	0	ADDRESS #8
0	0	1	0	0	1	0	ADDRESS #9
0	0	1	0	1	0	0	ADDRESS #10
0	0	1	0	1	1	0	ADDRESS #11
0	0	1	1	0	0	0	ADDRESS #12
0	0	1	1	0	1	0	ADDRESS #13
0	0	1	1	1	0	0	ADDRESS #14
0	0	1	1	1	1	0	ADDRESS #15
0	1	0	0	0	0	0	ADDRESS #16
0	1	0	0	0	1	0	ADDRESS #17
0	1	0	0	1	0	0	ADDRESS #18
0	1	0	1	0	0	0	ADDRESS #19
0	1	0	1	0	1	0	ADDRESS #20
0	1	0	1	0	1	1	ADDRESS #21
0	1	0	1	1	0	0	ADDRESS #22
0	1	0	1	1	1	0	ADDRESS #23
0	1	1	0	0	0	0	ADDRESS #24
0	1	1	0	0	1	0	ADDRESS #25
0	1	1	0	1	0	0	ADDRESS #26
0	1	1	0	1	1	0	ADDRESS #27
0	1	1	1	0	0	0	ADDRESS #28
0	1	1	1	0	1	0	ADDRESS #29
0	1	1	1	1	0	0	ADDRESS #30
0	1	1	1	1	1	0	ADDRESS #31
1	0	0	0	0	0	0	ADDRESS #32
1	0	0	0	0	0	1	ADDRESS #33
1	0	0	0	1	0	0	ADDRESS #34
1	0	0	0	1	1	0	ADDRESS #35
1	0	0	1	0	0	0	ADDRESS #36
1	0	0	1	0	1	0	ADDRESS #37
1	0	0	1	1	0	0	ADDRESS #38
1	0	0	1	1	1	0	ADDRESS #39
1	0	1	0	0	0	0	ADDRESS #40
1	0	1	0	0	0	1	ADDRESS #41
1	0	1	0	1	0	0	ADDRESS #42
1	0	1	0	1	1	0	ADDRESS #43
1	0	1	1	0	0	0	ADDRESS #44
1	0	1	1	0	1	0	ADDRESS #45
1	0	1	1	1	0	0	ADDRESS #46
1	0	1	1	1	1	0	ADDRESS #47
1	1	0	0	0	0	0	ADDRESS #48
1	1	0	0	0	0	1	ADDRESS #49
1	1	0	0	1	0	0	ADDRESS #50
1	1	0	0	1	1	0	ADDRESS #51
1	1	0	1	0	0	0	ADDRESS #52
1	1	0	1	0	0	1	ADDRESS #53
1	1	0	1	1	0	0	ADDRESS #54
1	1	0	1	1	1	0	ADDRESS #55
1	1	1	0	0	0	0	ADDRESS #56
1	1	1	0	0	0	1	ADDRESS #57
1	1	1	0	1	0	0	ADDRESS #58
1	1	1	0	1	1	0	ADDRESS #59
1	1	1	1	0	0	0	ADDRESS #60
1	1	1	1	0	0	1	ADDRESS #61
1	1	1	1	1	0	0	ADDRESS #62
1	1	1	1	1	1	0	ADDRESS #63

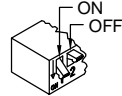
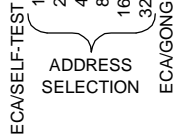


GONG VOLUME CONTROL AND DIP SWITCH ARE RIGHT-ANGLE DEVICES AND ARE MOUNTED ON THE FRONT OF THE BOARD.

OTIS SERIAL CONTROLLER CONNECTION

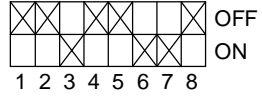
- 1 - L1 ● P1 BLUE
- 2 - L2 ● WHITE
- 3 - COM ● BLACK
- 4 - V+ ● RED

DIP SWITCH DETAIL

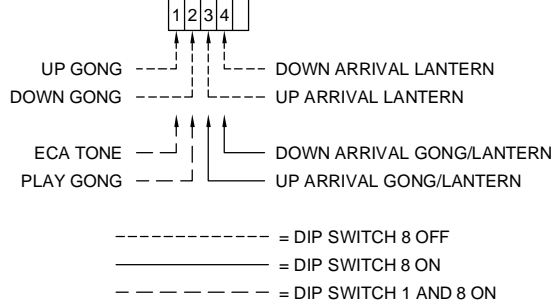


DIP SWITCH LEGEND

DEFAULT SETTINGS



DATA BITS



DIP1	DIP8	FUNCTION
1	0	SELF-TEST MODE
0	0	GONG USES BIT 1 UP (SINGLE) AND BIT 2 DOWN (DOUBLE)
0	1	GONG USES BIT 3 UP AND BIT 4 DOWN (BOTH SINGLE)
1	1	ECA MODE

CODE VERSION _____

BOARD VERSION CE3166 _____

DATE DRAWN: 09/15/05	DRAWN BY: DAC	REQUESTED BY: MG, CS	C.E. ELECTRONICS, INC. 2107 Industrial Drive Bryan, Ohio 43306 (419) 636-6705
BOARD NUMBER: 3166	LAST DATE REVISED: -	APPROVED BY:	
PRODUCT: OVETC-XX	DWG. NO.: OVETC-01	REV: -	

The following Otis data must be furnished at the specified addresses for the Otis Serial Indicator to work properly. The address is selected by setting DIP switches 2-7 as shown on the back of this page. The board reads the address determined by the DIP switch setting. For example, if the DIP switch is set to address 50, the board will read the bits at address 50.

At DIP switch address—selected by the DIP switch on the unit (Default 50):

Normal Operation

DIP switch 1 puts the unit in self-test mode.

DIP switch 1 and DIP switch 8 OFF:

- Bit 1—Up Gong (Single)
- Bit 2—Down Gong (Double)
- Bit 3—Up Arrival Arrow/Lantern
- Bit 4—Down Arrival Arrow/Lantern

DIP switch 1 OFF and DIP switch 8 ON:

- Bit 1—Not Used
- Bit 2—Not Used
- Bit 3—Up Arrival Arrow/Lantern and Up Gong (Single)
- Bit 4—Down Arrival Arrow/Lantern and Down Gong (Single)

ECA Operation

DIP switches 1 and 8 ON puts the unit in ECA Mode:

- Bit 1—ECA Tone
- Bit 2—Play Gong
- Bit 3—Up Arrival Arrow/Lantern (Single Gong)
- Bit 4—Down Arrival Arrow/Lantern (Double Gong)

The unit display can substitute different floor characters for the ones the controller sends, and it can switch between floor characters and ASCII characters for a message. To display alternative floor characters or messages, an EEPROM created using the OCDL.EXE program must be installed in the unit. Message characters alternate with floor characters every second.

Messages use the two addresses following the address set by the DIP switch.

DIP switch address +1 (Default 51): Priority

- | | | |
|-----------------|---------------------|---|
| Bit 1—FSL/RFSL | Fire Service Lamp | 1 |
| Bit 2—Available | Message Two | 2 |
| Bit 3—FNDG/RNDG | Front/Rear Nudging | 3 |
| Bit 4—ISCL | Independent Service | 4 |

DIP switch address +2 (Default 52):

- | | | |
|------------------|---------------|---|
| Bit 1—OLS | Overload Lamp | 5 |
| Bit 2— Available | Message Six | 6 |
| Bit 3— Available | Message Seven | 7 |
| Bit 4— Available | Message Eight | 8 |

NOTE: If messages are not programmed in the EEPROM, these two addresses are available for other devices, such as other position indicators.