

> OH911-X
OTIS SPECTRA SERIES SURFACE MOUNT METAL



OTIS
3.0" LED EXTENDED ARROW

Long life, solid state bi-color arrow for lanterns, 100,000 hour rated life. Accepts existing signals over the Otis RSL link. It includes a bi-color arrow which is green in the up direction and red in the down with matching side bars for 180° viewing. The unit is also equipped with an arrival gong. The programming is dip switch selectable.

TYPICAL APPLICATIONS:

- > Hall and car lanterns
- > Pl. combo w/ 180° Viewing angle

FEATURES:

- > Bi-color 3" arrow
- > 2" characters
- > Solid side bar/arrow
- > 180° viewing angle lantern
- > 1 year factory warranty
- > Conforms to ADAAG 4.10.4
- > Includes gong
- > RSL input
- > ECA capable

METAL:

- > 70100039 Vertical & Horizontal



Otis Elevator Company | Newberry Road | Bloomfield, CT | Ph: 860.676.6000 | www.otisworldwide.com

Otis Worldwide





C.E. Electronics, Inc.
 2107 Industrial Drive
 Bryan, OH 43506
 PH (419) 636-6705 FX (419) 636-2516
 www.ceelectronics.com

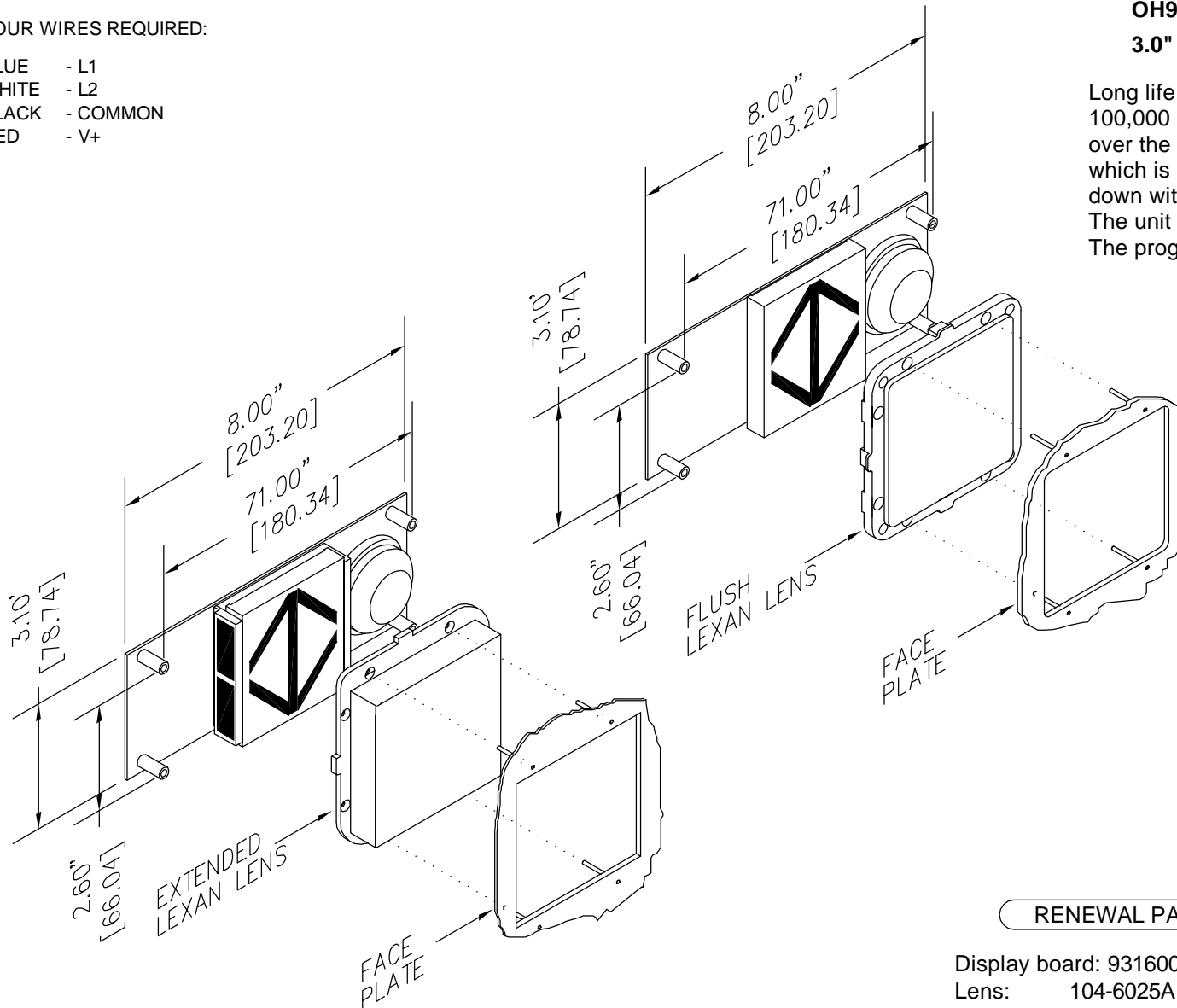
OH911-X

Ver. 2 Rel. 10/05/05

OTIS

FOUR WIRES REQUIRED:

- BLUE - L1
- WHITE - L2
- BLACK - COMMON
- RED - V+



OH911-X

3.0" LED EXTENDED ARROW

Long life, solid state bi-color arrow for lanterns, 100,000 hour rated life. Accepts existing signals over the Otis RSL link. It includes a bi-color arrow which is green in the up direction and red in the down with matching side bars for 180° viewing. The unit is also equipped with an arrival gong. The programming is dip switch selectable.

Typical Applications

- Hall and car lanterns
- P.I. combo w/180° Viewing angle

Features

- Bi-color 3" arrow
- 2" characters
- Solid side bar/arrow
- 180° viewing angle lantern
- 1 year factory warranty
- Conforms to ADAAG 4.10.4
- Includes gong
- RSL input
- ECA capable

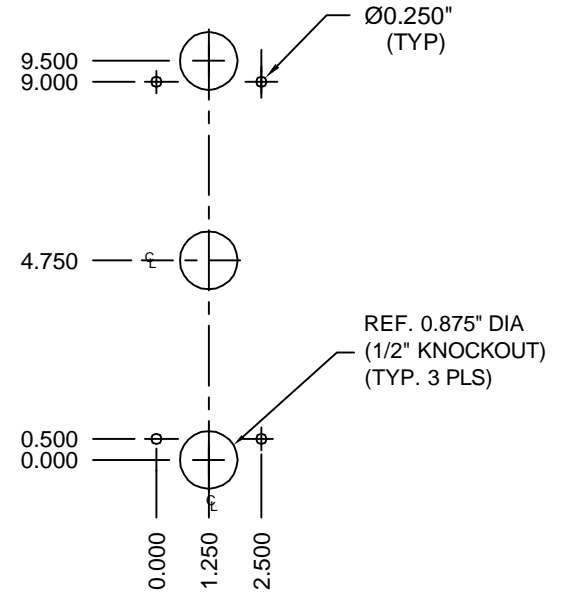
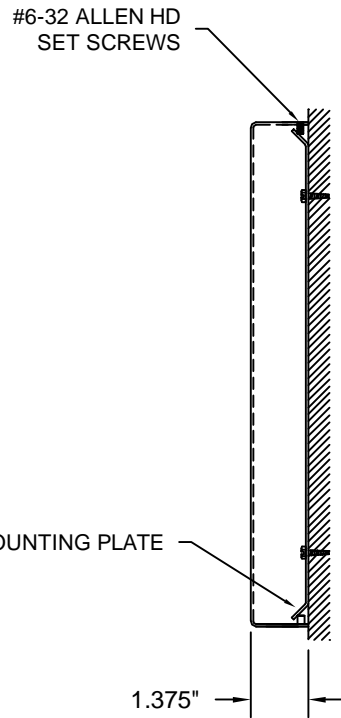
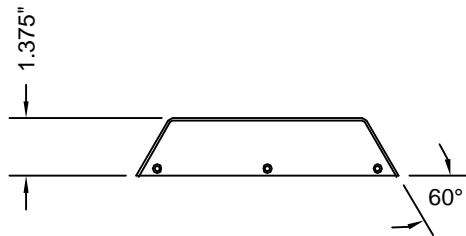
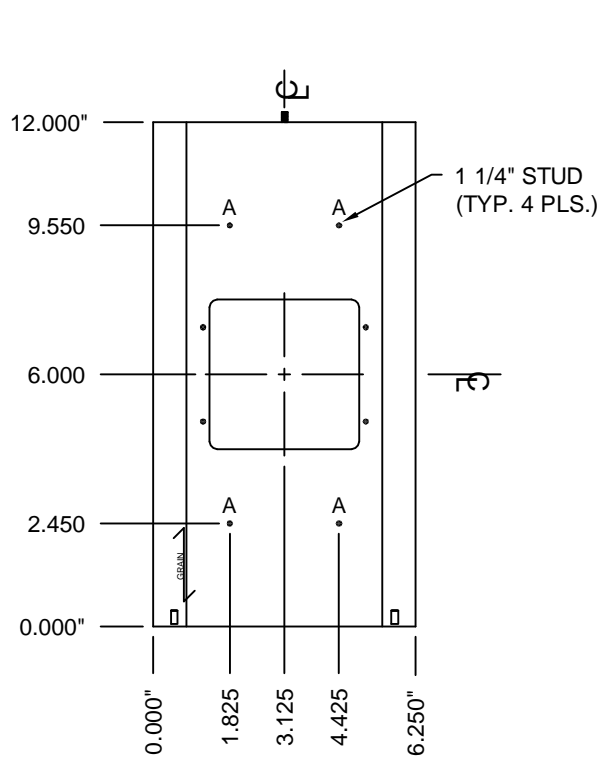
TO ORDER - SPECIFY OH911-X

E = EXTENDED
 F = FLUSH

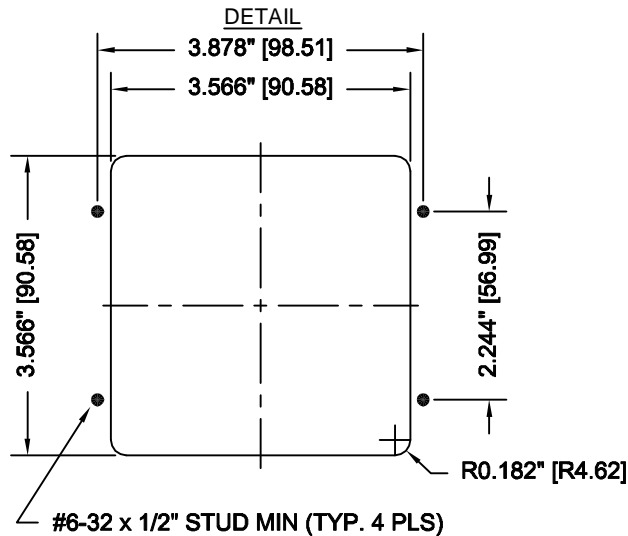
RENEWAL PARTS

Display board: 931600000
 Lens: 104-6025A EXT.
 Lens: 104-6056A NON EXT.

COVER PLATE



CUT-OUT & MTG. DETAIL



NOTES:

- #4 STAINLESS STEEL, PAN TYPE COVER, 16 GAUGE .060
- VERTICAL GRAIN
- BACK PLATE INCLUDED

LENS NUMBER:	BOARD # & REV:
APPROVED BY:	
Signature: _____	
Date: _____	
Company: _____	

DATE DRAWN: 10/25/06	LAST DATE REVISED:	SCALE:	PART #:
DRAWN BY: D.W.S.	TOLERANCE UNLESS OTHERWISE SPECIFIED: +0.015, -0.015		C.E. ELECTRONICS, INC. 2107 Industrial Drive Bryan, Ohio 43506 (419) 636-6705
REQUESTED BY: C.S.	TOLERANCE FOR CUTOUT (WINDOW): +0.020, -0.000		
TITLE: OTIS SPECTRA SERIES SURFACE MOUNT METAL			DWG. NO. 70100039
			REV:

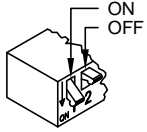
OH911-X

JOB# _____

DIP SWITCH DETAIL

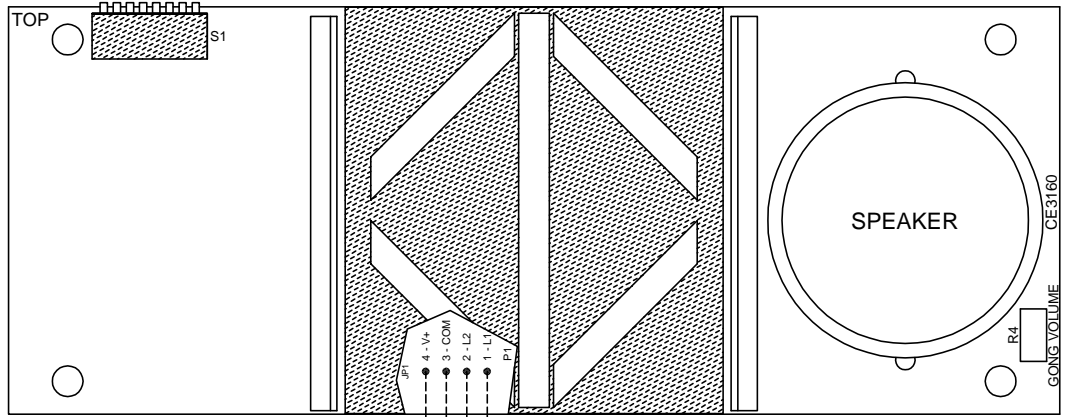
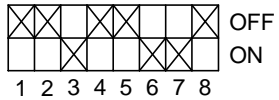


1 2 4 8 16 32
 ADDRESS SELECTION
 ECA/SELF-TEST ECA/GONG

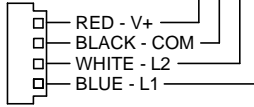


DIP SWITCH LEGEND

DEFAULT SETTINGS



OTIS SERIAL CONTROLLER CONNECTION



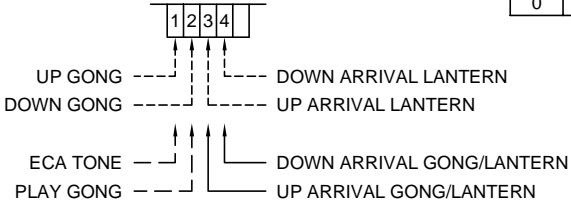
DIP SWITCH AND GONG VOLUME CONTROL ARE RIGHT-ANGLE DEVICES AND ARE LOCATED ON THE FRONT OF THE BOARD.

CHART TO SELECT ADDRESS WITH DIP SWITCH

DIP SWITCH #	VALUE						ADDRESS							ADDRESS #
	7	6	5	4	3	2		1	0	0	0	0	0	
0	0	0	0	0	0	0	INVALID	1	0	0	0	0	0	ADDRESS #32
0	0	0	0	0	0	0	INVALID	1	0	0	0	0	1	ADDRESS #33
0	0	0	0	0	0	0	INVALID	1	0	0	0	1	0	ADDRESS #34
0	0	0	0	0	0	0	INVALID	1	0	0	0	1	1	ADDRESS #35
0	0	0	1	0	0	0	ADDRESS #4	1	0	0	1	0	0	ADDRESS #36
0	0	0	1	0	1	0	ADDRESS #5	1	0	0	1	0	1	ADDRESS #37
0	0	0	1	1	1	0	ADDRESS #6	1	0	0	1	1	0	ADDRESS #38
0	0	0	1	1	1	1	ADDRESS #7	1	0	0	1	1	1	ADDRESS #39
0	0	1	0	0	0	0	ADDRESS #8	1	0	1	0	0	0	ADDRESS #40
0	0	1	0	0	1	0	ADDRESS #9	1	0	1	0	0	1	ADDRESS #41
0	0	1	0	1	0	0	ADDRESS #10	1	0	1	0	1	0	ADDRESS #42
0	0	1	0	1	1	1	ADDRESS #11	1	0	1	0	1	1	ADDRESS #43
0	0	1	1	0	0	0	ADDRESS #12	1	0	1	1	0	0	ADDRESS #44
0	0	1	1	0	1	0	ADDRESS #13	1	0	1	1	0	1	ADDRESS #45
0	0	1	1	1	0	0	ADDRESS #14	1	0	1	1	1	0	ADDRESS #46
0	0	1	1	1	1	1	ADDRESS #15	1	0	1	1	1	1	ADDRESS #47
0	1	0	0	0	0	0	ADDRESS #16	1	1	0	0	0	0	ADDRESS #48
0	1	0	0	0	1	0	ADDRESS #17	1	1	0	0	0	1	ADDRESS #49
0	1	0	0	1	0	0	ADDRESS #18	1	1	0	0	1	0	ADDRESS #50
0	1	0	0	1	1	0	ADDRESS #19	1	1	0	0	1	1	ADDRESS #51
0	1	0	1	0	0	0	ADDRESS #20	1	1	0	1	0	0	ADDRESS #52
0	1	0	1	0	1	0	ADDRESS #21	1	1	0	1	0	1	ADDRESS #53
0	1	0	1	1	0	0	ADDRESS #22	1	1	0	1	1	0	ADDRESS #54
0	1	0	1	1	1	1	ADDRESS #23	1	1	0	1	1	1	ADDRESS #55
0	1	1	0	0	0	0	ADDRESS #24	1	1	1	0	0	0	ADDRESS #56
0	1	1	0	0	1	0	ADDRESS #25	1	1	1	0	0	1	ADDRESS #57
0	1	1	0	1	0	0	ADDRESS #26	1	1	1	0	1	0	ADDRESS #58
0	1	1	0	1	1	0	ADDRESS #27	1	1	1	0	1	1	ADDRESS #59
0	1	1	1	0	0	0	ADDRESS #28	1	1	1	1	0	0	ADDRESS #60
0	1	1	1	0	1	0	ADDRESS #29	1	1	1	1	0	1	ADDRESS #61
0	1	1	1	1	0	0	ADDRESS #30	1	1	1	1	1	0	ADDRESS #62
0	1	1	1	1	1	1	ADDRESS #31	1	1	1	1	1	1	ADDRESS #63

CODE VERSION _____
BOARD VERSION CE3160 ____

DATA BITS



----- = DIP SWITCH 8 OFF
 _____ = DIP SWITCH 8 ON
 - - - - - = DIP SWITCH 1 AND 8 ON

DIP1	DIP8	FUNCTION
1	0	SELF-TEST MODE
0	0	GONG USES BIT 1 UP (SINGLE) AND BIT 2 DOWN (DOUBLE)
0	1	GONG USES BIT 3 UP AND BIT 4 DOWN (BOTH SINGLE)
1	1	ECA MODE

The following Otis data must be furnished at the specified address for the Otis Serial Indicator to work properly. The address is selected by setting DIP switches 2-7 as shown on the back of this page. The board reads the address determined by the DIP switch setting. For example, if the DIP switch is set to address 50, the board will read the bits at address 50.

At DIP switch address—selected by the DIP switch on the unit (Default 50):

Normal Operation

DIP switch 1 puts the unit in self-test mode.

DIP switch 1 and DIP switch 8 *OFF*:

- Bit 1—Up Gong (Single)
- Bit 2—Down Gong (Double)
- Bit 3—Up Arrival Arrow/Lantern
- Bit 4—Down Arrival Arrow/Lantern

DIP switch 1 *OFF* and DIP switch 8 *ON*:

- Bit 1—Not Used
- Bit 2—Not Used
- Bit 3—Up Arrival Arrow/Lantern and Up Gong (Single)
- Bit 4—Down Arrival Arrow/Lantern and Down Gong (Single)

ECA Operation

DIP switches 1 and 8 *ON* puts the unit in ECA Mode:

- Bit 1—ECA Tone
- Bit 2—Play Gong
- Bit 3—Up Arrival Arrow/Lantern (Single Gong)
- Bit 4—Down Arrival Arrow/Lantern (Double Gong)