



CE Electronics

**Supplementary
Range
of Indicators for**

OTIS

OTIS

Otis Elevator Company

Newberry Road

Bloomfield, CT

Ph: 860.676.6000

Otis Worldwide

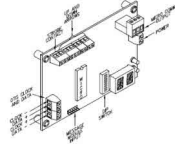
www.otisworldwide.com



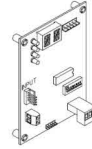
Otis Serial Interfaces

Serial Link
Clock/Data
110VAC
-24/30VDC

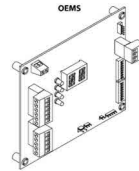
MOTIS 401 Remote Station Interface to Microcomm



OCDL 411 Serial Link Interface to Microcomm



OEMS 411 Serial Link Interface to Microcomm plus EMS RS485 interface



Voice

OV401 Voice Unit up to 80 messages

OV411 Voice Unit up to 80 messages



Otis 2000 LCD

OB215-W 50mm Character White on Blue



OL215-X 50mm Character R,G,B,Y on Black

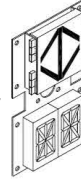


Otis Luxury Fixtures

Serial Link
Clock/Data
110VAC
-24/30VDC

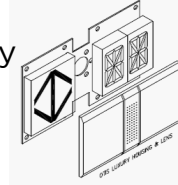
OLAD-S

75mm 2-colour Arrow
+ 56mm 16 seg LED display
+ Side Bar
+ gong (vertical)



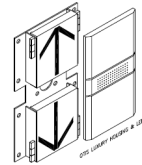
OLHAD-S

75mm 2-colour Arrow
+ 56mm 16 seg LED display
+ Side Bar + gong
(horizontal)



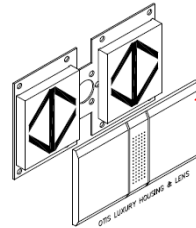
OLHD-XV3

Vertical 75mm 2-colour
Arrows + Side Bar + gong



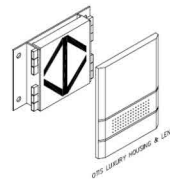
OLHD-XHX

Horizontal 75mm 2-colour
Arrows + gong



OLHS-XX

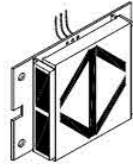
75mm 2-colour Arrow
+ Side Bar + gong



Otis Advance Fixtures

Serial Link
Clock/Data
110VAC
-24/30VDC

OAHE 75mm 2 Colour LED Arrow + Sidebars + Gong

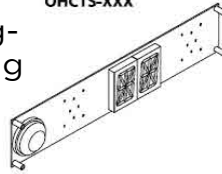


OAHF 75mm 2 Colour LED Arrow + Gong



OHCTS Horizontal 50mm 16 segment LED display + gong (shown)

OHCTS-XXX

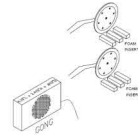


OVCTS Vertical version

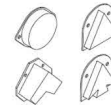
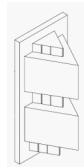
Otis Hockey Pucks

Replace light bulb and mechanical bells with solid state LEDs and electronic gong

OHP-X1 Through wall



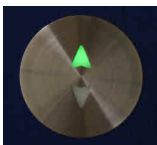
OHP-X2 Applied Metal



OHP-XWD Wedge


Otis Bespoke Fixtures


Custom Hall Lanterns, Sweep Indicators Indicator Housings all manufactured to Architect's Specifications in a range of materials including Steel, Glass, Perspex, Ceramic & Wood.





16 Segment Displays

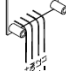
Serial Link
Clock/Data
110VAC
-24/30VDC

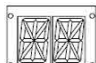
OE205 2 Character 12mm LED + Arrows 

OH210 2 Character 30mm LED + Arrows 

OS222 2 Character 56mm LED + Arrows 


OSV21 2 Character 30mm LED + Arrows 

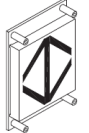
OV105 2 Character 12mm LED + Arrows 


LO220 2 Character 50mm LED 
OV220

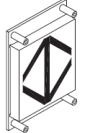
VO212 2 Character 30mm Vacuum Fluorescent 
OVF12

Serial Lanterns

OH125 Horizontal 63mm Arrow + gong (shown) 

OV125 Vertical Version 

SA130-HOS Horizontal 75mm 2 colour Arrow + gong 

SA130-VOS Vertical version (shown) 

SNAPINOCG 75mm 2 colour LED Arrow
SNAPINOFG + gong
SNAPINOSG

Classic Products

GTCV-OS	Vertical 75mm 2 Colour Arrow + 56mm 16 segment + gong		Serial Link <input checked="" type="checkbox"/>	Clock/Data <input type="checkbox"/>	110VAC <input type="checkbox"/>	-24/30VDC <input type="checkbox"/>
GTCH-OS	Horizontal Version		<input checked="" type="checkbox"/>	<input type="checkbox"/>	<input type="checkbox"/>	<input type="checkbox"/>
GTDV-OS	Vertical 75mm 2 colour arrow + gong		<input checked="" type="checkbox"/>	<input type="checkbox"/>	<input type="checkbox"/>	<input type="checkbox"/>
GTDH-OS	Horizontal Version		<input checked="" type="checkbox"/>	<input type="checkbox"/>	<input type="checkbox"/>	<input type="checkbox"/>

Spectra Series

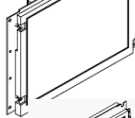
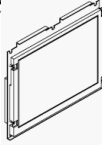
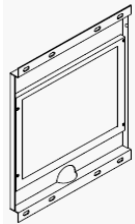
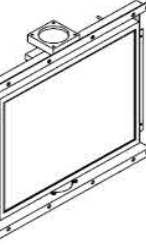
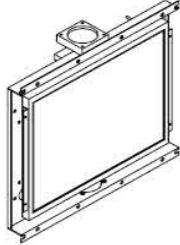
OVETC	Vertical 75mm 2 Colour Arrow + 2 digit 56mm LED Display + Gong with optional sidebars		<input checked="" type="checkbox"/>	<input type="checkbox"/>	<input type="checkbox"/>	<input type="checkbox"/>
OHETC	Horizontal version		<input checked="" type="checkbox"/>	<input type="checkbox"/>	<input type="checkbox"/>	<input type="checkbox"/>
OH911	Horizontal 75mm 2 Colour Arrow + Gong (shown)		<input checked="" type="checkbox"/>	<input type="checkbox"/>	<input type="checkbox"/>	<input type="checkbox"/>
OV911	Vertical version includes Sidebars		<input checked="" type="checkbox"/>	<input type="checkbox"/>	<input type="checkbox"/>	<input type="checkbox"/>

Destination

ODBA10	10 Dual Digit Destination Indicator		<input checked="" type="checkbox"/>	<input type="checkbox"/>	<input type="checkbox"/>	<input type="checkbox"/>
OFLAG	67mm LED Extended Arrival Indicator		<input checked="" type="checkbox"/>	<input type="checkbox"/>	<input type="checkbox"/>	<input type="checkbox"/>
OPENDANT	67mm LED Arrival Indicator		<input checked="" type="checkbox"/>	<input type="checkbox"/>	<input type="checkbox"/>	<input type="checkbox"/>
OBOX	67mm LED Arrival Indicator		<input checked="" type="checkbox"/>	<input type="checkbox"/>	<input type="checkbox"/>	<input type="checkbox"/>



TFT Flat Panel LCD

Serial Link
Clock/Data
110VAC
-24/30VDC

OELDX-B	10.4" Full Colour ELD		<input checked="" type="checkbox"/> <input checked="" type="checkbox"/> <input type="checkbox"/> <input type="checkbox"/>
OCX10-B	8.4" diagonal TFT Position Indicator (shown)		<input checked="" type="checkbox"/> <input checked="" type="checkbox"/> <input type="checkbox"/> <input type="checkbox"/>
OHX10-A	8.4" diagonal TFT Position Indicator		<input checked="" type="checkbox"/> <input checked="" type="checkbox"/> <input type="checkbox"/> <input type="checkbox"/>
OX104-A	10.4" diagonal TFT Position Indicator (shown)		<input checked="" type="checkbox"/> <input checked="" type="checkbox"/> <input type="checkbox"/> <input type="checkbox"/>
OX104-B	Narrow Mounting version		<input checked="" type="checkbox"/> <input checked="" type="checkbox"/> <input type="checkbox"/> <input type="checkbox"/>
OX150-X	15" diagonal TFT Position Indicator		<input checked="" type="checkbox"/> <input checked="" type="checkbox"/> <input type="checkbox"/> <input type="checkbox"/>

These Products require a Microcomm interface - see page 2

Mini TFT Flat Panel LCD

OMN43-X	4.3" diagonal TFT position indicator		<input checked="" type="checkbox"/> <input type="checkbox"/> <input type="checkbox"/> <input type="checkbox"/>
OMN57-AMX	5.7" diagonal position indicator		<input checked="" type="checkbox"/> <input type="checkbox"/> <input type="checkbox"/> <input type="checkbox"/>



INDICATORS

16 Segment - Dot Matrix
LCD Position Indicators
Scrolling Messages
Flashing Side Arrows/Bars



TFT DISPLAYS

Elite PI Elevator Displays
8.4" 10.4" 15" 19"
5.7" Mini Destination TFT Displays
Floor Information & Scheduled Messages
Video/TV/Live Data
Customised Layout
ADA/DDA Compliant
Very Wide Viewing Angle
Full Colour Display



VINTAGE SWEEP

Antique, Contemporary and Unique Designs
Smooth and Steady Arrow Indicator flow
180° & 360° Position Indicators



SECURITY

Keypad/Swipecard/Fob/Proximity Readers
Secure up to 32 Landings
Up to 600 Different Access Codes
6 Digit Security Code Access to Multiple Floors
7 Day and 365 Day Timer Override Options



DDA KITS

Compliant with EN81-70
Indicators/Speech Units/Gongs
Induction Loop Kits
Call Registration Buzzer
No Entry Indicator



The Show Van
containing
many of our
products is
currently on
a tour of
Europe

To Book a
visit call
+44 7909
667241



Rev 3_2

OTIS

Otis Elevator Company | Newberry Road | Bloomfield, CT | Ph: 860.676.6000 | www.otisworldwide.com



C.E. Electronics Ltd.

C.E. Electronics Inc.

Marlow, Bucks, UK | Ph: +44 (0) 1628 487633 | www.cееlectronics.com | Bryan, OH, USA | Ph: (419) 636-6705