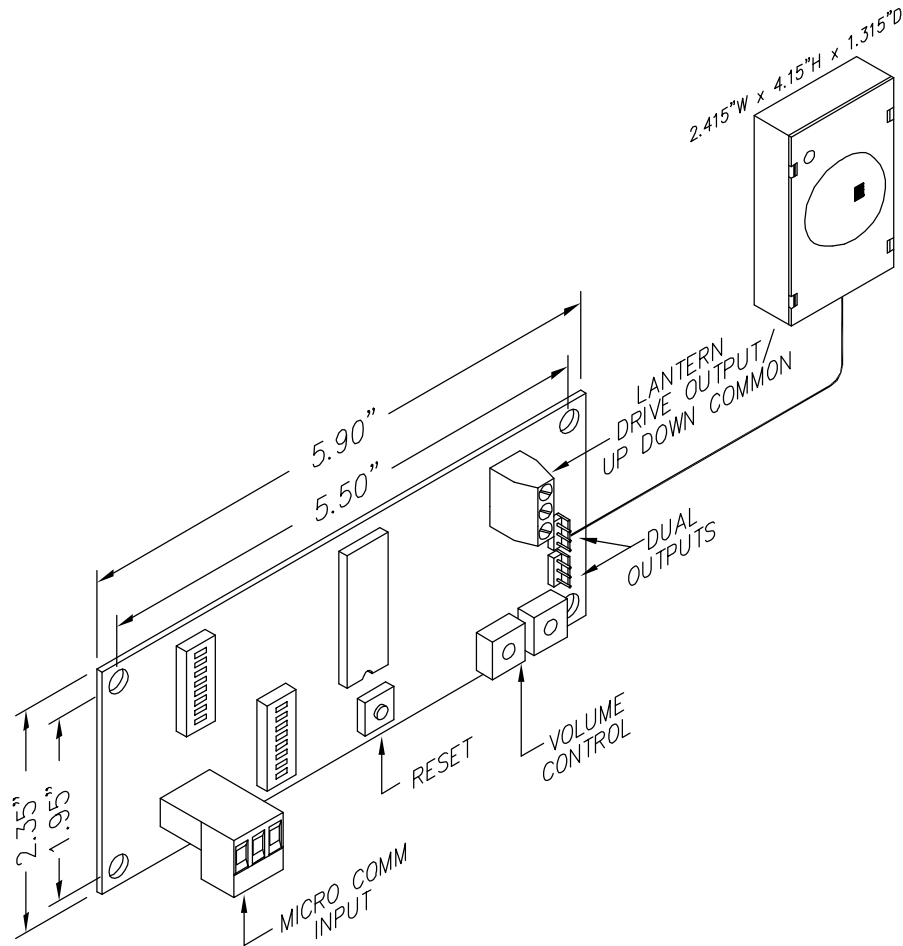




# MNOISE-XXXX

Ver. 1 Rel. 06/18/02



## MICRO COMM AUDIBLE TONE BOARD

This unit is designed to sound: passing chime, arrival gong, nudging buzzer and/or a fire alarm from the Micro Comm 3 wire network.

### Typical Applications:

- Car or Hall audio indications

### Features:

- Passing Chime
- Arrival Chime
- Nudging Buzzer
- Fire Alarm
- Serial Hookup
- Drives C.E. lantern
- Provides relay output to switch light bulbs
- Conforms to ADAAG 4.10.4, 4.10.13

### TO ORDER - SPECIFY MNOISE - X X X X

#### PASSING CHIME:

"1" = PASSING CHIME USED  
 "X" = NO PASSING CHIME USED

#### HANDICAP GONG;

"1" = HALL ARRIVAL GONG  
 "2" = CAR ARRIVAL GONG  
 "3" = HALL TRAVELING GONG  
 "4" = CAR TRAVELING GONG  
 "X" = NO GONG INCLUDED

#### ALARM OPTION:

"1" = NUDGING PRIORITY 1 ALARM  
 "2" = FIRE PRIORITY 1 ALARM  
 "3" = BOTH FIRE and NUDGING  
 "X" = NO ALARM INCLUDED

#### LAMP OUTPUT:

"1" = LAMP OUTPUT  
 "2" = NO LAMP OUTPUT

### NOTE:

1. This is not a stand alone unit. Must be used in conjunction with a Micro Comm interface.