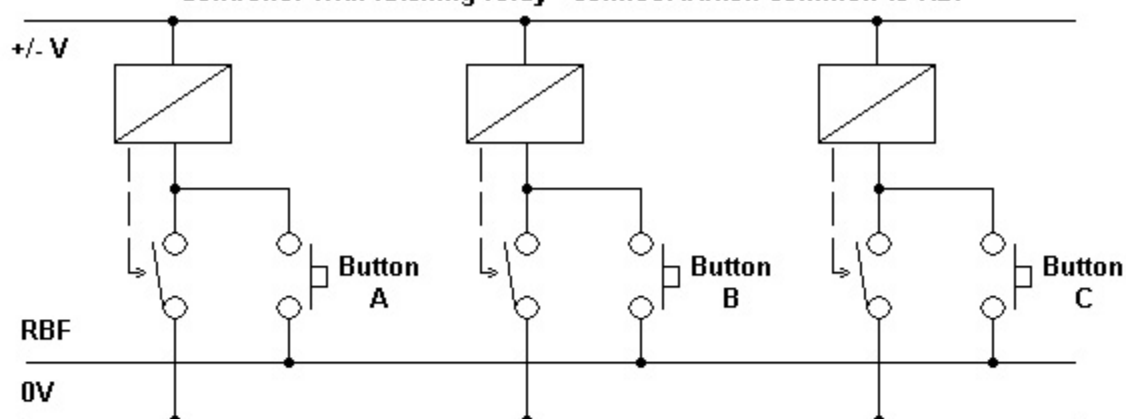
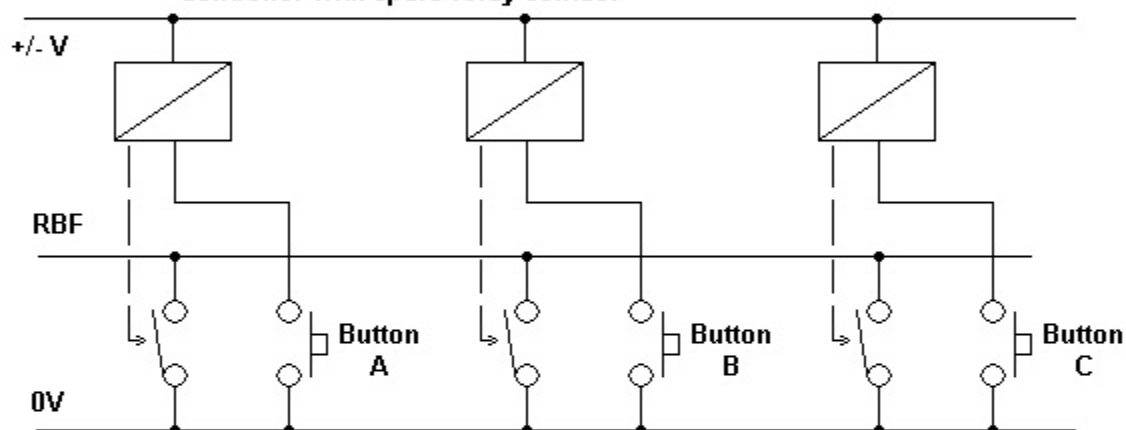


## Various options for connecting the REG-BUZZER

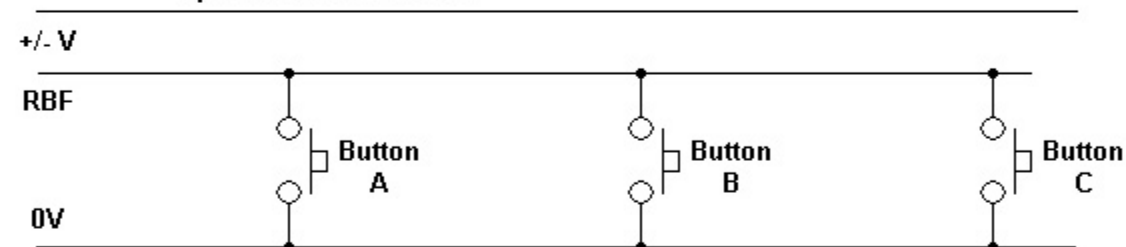
Controller with latching relay - connect button common to RBF



Controller with spare relay contact



Spare contact on button



No spare contact - **NOTE** diode must be correct way round (shown for +ve V)

