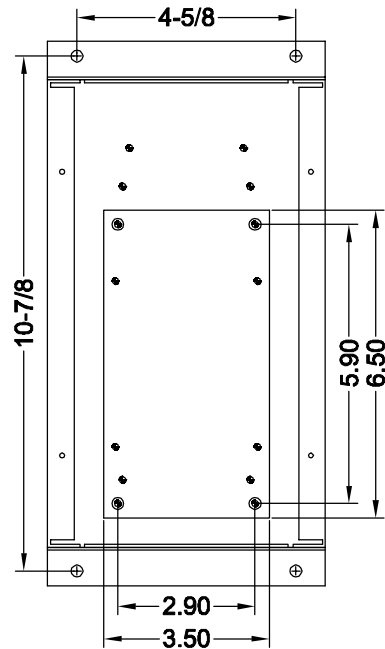
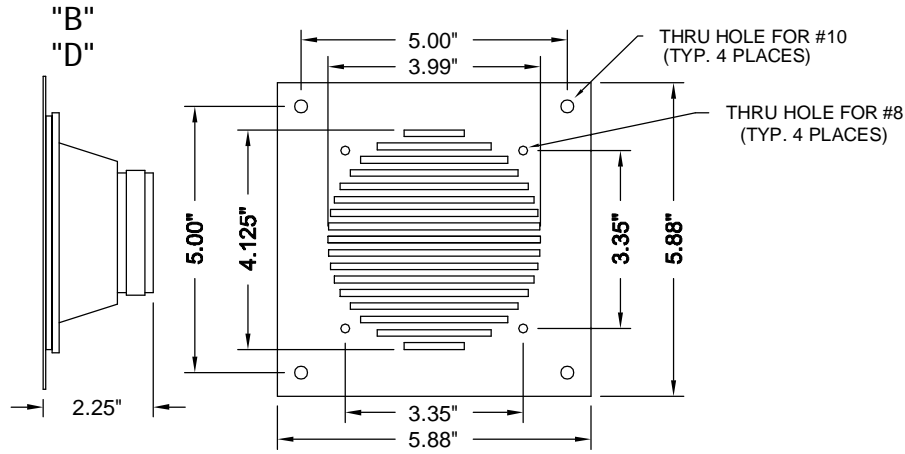
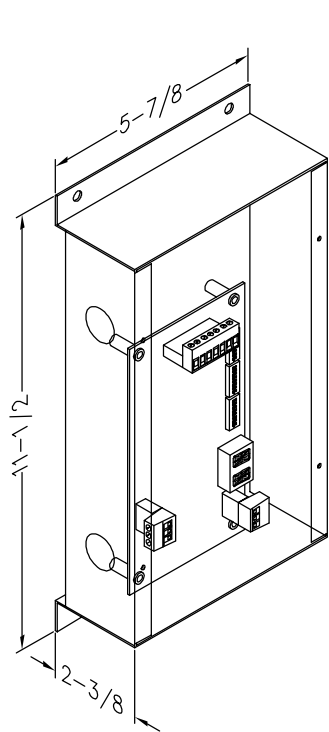




# VM3541-XXXXX

Ver. 2 Rel. 05/20/2011

MICRO COMM®



## DIGITIZED FLOOR ANNUNCIATOR

The basic system includes up to eighty different messages, with a total message time of 8 minutes. The unit can be used on the Micro Comm 3 wire network with no additional wires. An option for up/down and door strobe can be signaled at the device.

### Features:

- Custom vocabulary
- Up to 8 min. of speech
- Human voice
- Male or female voices
- Add on to existing P.I.'s
- Micro Comm inputs
- Conforms to AGAAG 4.10.13
- Includes sealed mid-range speaker
- Receives ASCII

### Notes:

1. This is not a stand alone unit. Must be used in conjunction with a Micro Comm interface.
2. The digitized Voice Annunciator (VM3541-XXXXX) must be mounted within 20' of the speaker or damage will result! C.E. #40040001 matching transformers may be purchased for greater distances - consult the factory.
3. If a special voltage is required, please consult factory.

## TO ORDER: SPECIFY VM3541 - X X X X X

### ARRIVAL ARROW VOLTAGE:

- "A" = POSITIVE 6-20VAC/DC, 24VAC
- "B" = POSITIVE 24-48VDC, 24-48VAC
- "C" = POSITIVE 120VAC
- "D" = POSITIVE 125VDC
- "E" = NEGATIVE 6-20VDC
- "F" = NEGATIVE 24-48VDC
- "G" = NEGATIVE 125VDC
- "M" = MICRO COMM ARRIVAL

### DOOR STROBE VOLTAGE/S-BUTTON VOLTAGE:

- "A" = POSITIVE 6-20VAC/DC, 24VAC
- "B" = POSITIVE 24-48VDC, 24-48VAC
- "C" = POSITIVE 120VAC
- "D" = POSITIVE 125VDC
- "E" = NEGATIVE 6-20VDC
- "F" = NEGATIVE 24-48VDC
- "G" = NEGATIVE 125VDC
- "M" = MICRO COMM STROBE

BUILD:  
 <BLANK> = with BOX  
 "C" = CUSTOM

70V LINE TRANSFORMER  
 "R" = REMOTE SPEAKER MOUNT  
 "L" = LOCAL SPEAKER MOUNT (NONE)

SPEAKER FORMAT:  
 "B" = 2.25" SPEAKER OPTION  
 "C" = SPECIAL SPEAKER OPTION  
 "D" = WATER RESISTANT SPEAKER OPTION  
 "X" = NO SPEAKER