

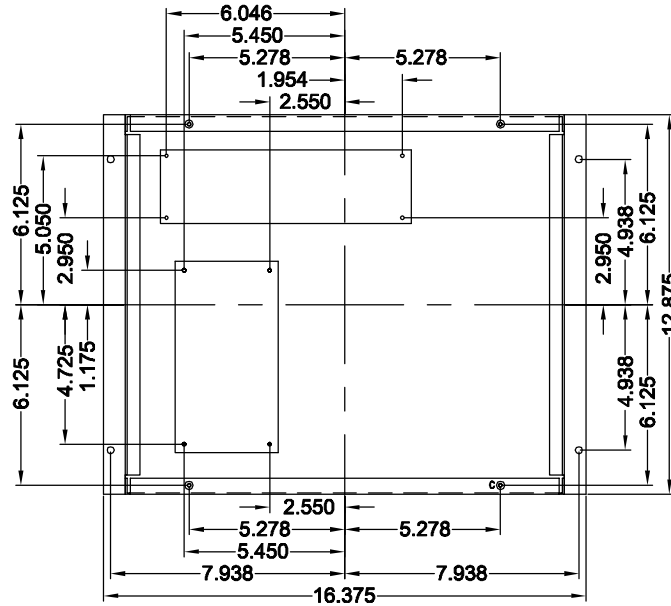
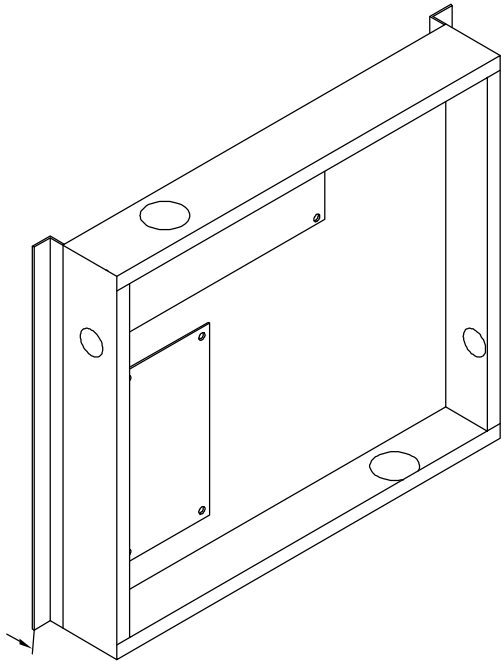


C.E. Electronics, Inc.
 2107 Industrial Drive
 Bryan, OH 43506
 PH (419) 636-6705 FX (419) 636-2516
 www.ceelectronics.com

VS3541-XXXXX

Ver. 1 Rel. 04/15/2011

A.D.A.



Digitized Floor Annunciator

The basic system includes up to eight different messages, with a total message time of 8 minutes. The system can be used as a stand alone or in conjunction with independent position indicators. 16 discrete inputs can be combined to announce messages or floors. If additional floors or messages are needed, consult factory for additional options.

Features:

- Custom Vocabulary
- Up to 8 min, of speech
- Capable of 80 messages
- LED input indicators
- Human Voice
- Male or female voices
- 6-150v AC/DC inputs
- Full wave bridge inputs
- Stand alone or add on to existing P.I.'s
- Includes sealed mid-range speaker
- Conforms to ADAAG 4.10.13
- UL listed

TO ORDER - SPECIFY VS3541 - X X X X X

SIGNAL VOLTAGES:

- "A" = 6-20VAC/DC, 24 VAC
- "B" = 24-48VDC, 48VAC
- "C" = 120 VAC
- "D" = 125VDC
- "E" = -6-20VDC
- "F" = -24-48VDC
- "G" = -125VDC

TRANSFORMER:

- <BLANK> = 110VAC only w/BOX & COVER
- "2" = 220VAC only w/BOX & COVER
- "3" = 110VAC only NO BOX & COVER
- "4" = 220VAC only NO BOX & COVER

BUILD:

- "L" = LOCAL SPEAKER MOUNT
- "R" = REMOTE SPEAKER MOUNT * #1 Note

SIGNAL FORMAT:

- "1" = SINGLE LINE/FLOOR*
- "2" = BINARY
- "3" = UNITS & TENS *
- "4" = GRAY CODE
- "5" = INVERTED BINARY
- "6" = SPECIAL

SPEAKER SELECTION:

- "A" = 3.5" SPEAKER OPTION
- "B" = 2.25" SPEAKER OPTION
- "D" = 2.25" WATER RESISTANT
- "S" = SPECIAL SPEAKER OPTION
- "X" = NO SPEAKER

NOTES:

1. This digitized voice annunciator (VS3541-XXXXX) MUST be mounted within 20' of the speaker or damage will result! C.E. #40040001 matching transformers may be purchased for greater distances - consult the factory.
2. In some applications the MAMMX-X may be needed
3. If a special voltage is required, please consult factory.
- 4.* May need additional decoder boards, please consult factory.

