

# > SA130-XXXXX

SNAP IN



## A . D . A

### 3.0" LED ARROW

Long life, solid state bi-color or blue arrow for lanterns. Accepts signals from 12 to 120 volts, AC or DC. The bi-color arrow is green for up and red for down or blue up and down.

#### TYPICAL APPLICATIONS:

- > Hall and car lanterns

#### FEATURES:

- > Ultra-thin packaging
- > Bi-color or Solid Blue
- > Red down/green up or Solid Blue
- > Fast 3-wire hookup
- > Conforms to ADAAG 4.10.4
- > Jamb mountable (Verticle style only)

#### VIEW:



**C.E. Electronics Ltd.**

Marlow, Bucks, UK

Ph: +44 (0) 1628 487633

[www.cееlectronics.com](http://www.cееlectronics.com)

**C.E. Electronics, Inc.**

Bryan, OH, USA

Ph: (419) 636-6705



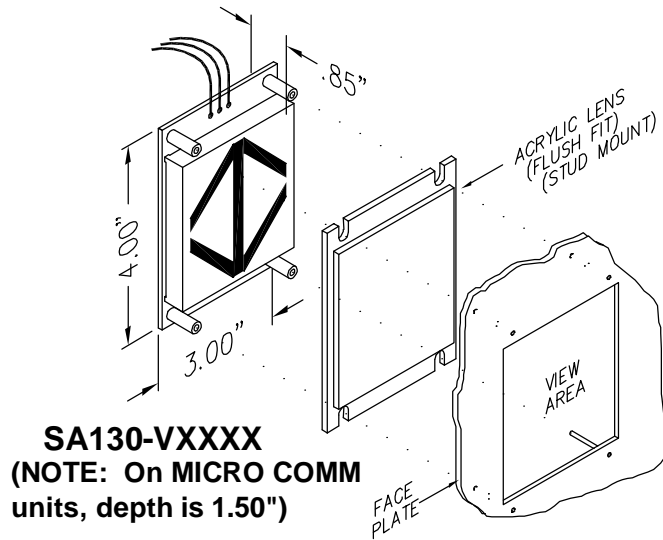


C.E. Electronics, Inc.  
 2107 Industrial Drive  
 Bryan, OH 43506  
 PH (419) 636-6705 FX (419) 636-2516  
 www.cseelectronics.com

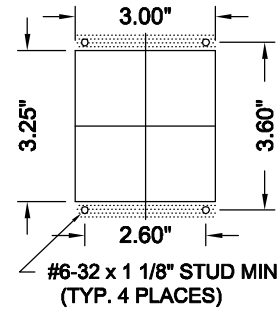
# SA130-XXXX

Ver. 7 Rel. 11/20/07

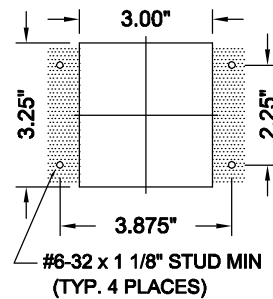
A.D.A.



### PANEL PREPARATION

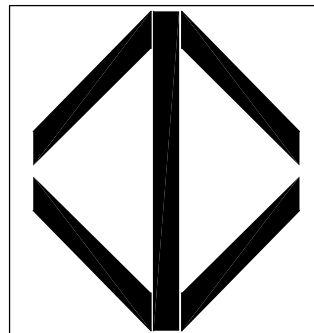


### SA130-VXXXX

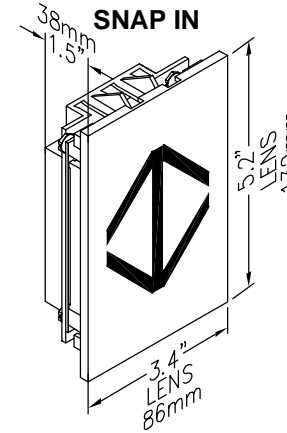


### SA130-HXXXX

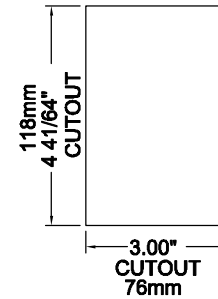
CUTOUT TOLERANCE: +.020  
 -0.0



3.0" ARROW



### PANEL PREPARATION



TO ORDER - SPECIFY SA130 - X X X X X

ORIENTATION:  
 "H" = HORIZONTAL  
 "V" = VERTICAL

COLOR:  
 "<blank>" = Bi-Color  
 "B" = Blue \*

SIGNAL VOLTAGE:  
 "A" = +6VDC  
 "B" = -6VDC  
 "C" = 12VAC  
 "D" = +12VDC  
 "E" = -12VDC  
 "M" = MICRO COMM  
 "Z" = 20-120VAC/DC

LENS:  
 "G" = GRAY  
 "S" = SNAP IN  
 "X" = NO SELECTION

SIGNAL FORMAT:  
 "A" = ARRIVAL \*  
 "T" = TRAVEL \*  
 "X" = NO SELECTION \*\*

### 3.0" LED ARROW

Long life, solid state bi-color or blue arrow for lanterns. Accepts signals from 12 to 120 volts, AC or DC. The bi-color arrow is green for up and red for down or blue up and down.

### Typical applications:

- Hall or car lanterns.

### Features:

- Ultra-thin packaging
- Bi-color or Solid Blue
- Red down/green up or Solid Blue
- Fast 3-wire hookup
- Conforms to ADAAG 4.10.4
- Jamb mountable (Vertical style only)

NOTE:  
 If a special voltage is required, please consult factory.

\* MICRO COMM APPLICATIONS  
 \*\* NON - MICRO COMM APPLICATIONS