



C.E. Electronics, Inc.
 2107 Industrial Drive
 Bryan, OH 43506
 PH (419) 636-6705 FX (419) 636-2516
 www.ceelectronics.com

SHAIO-XXXXXXXX

Ver. 2 Rel. 06/15/05

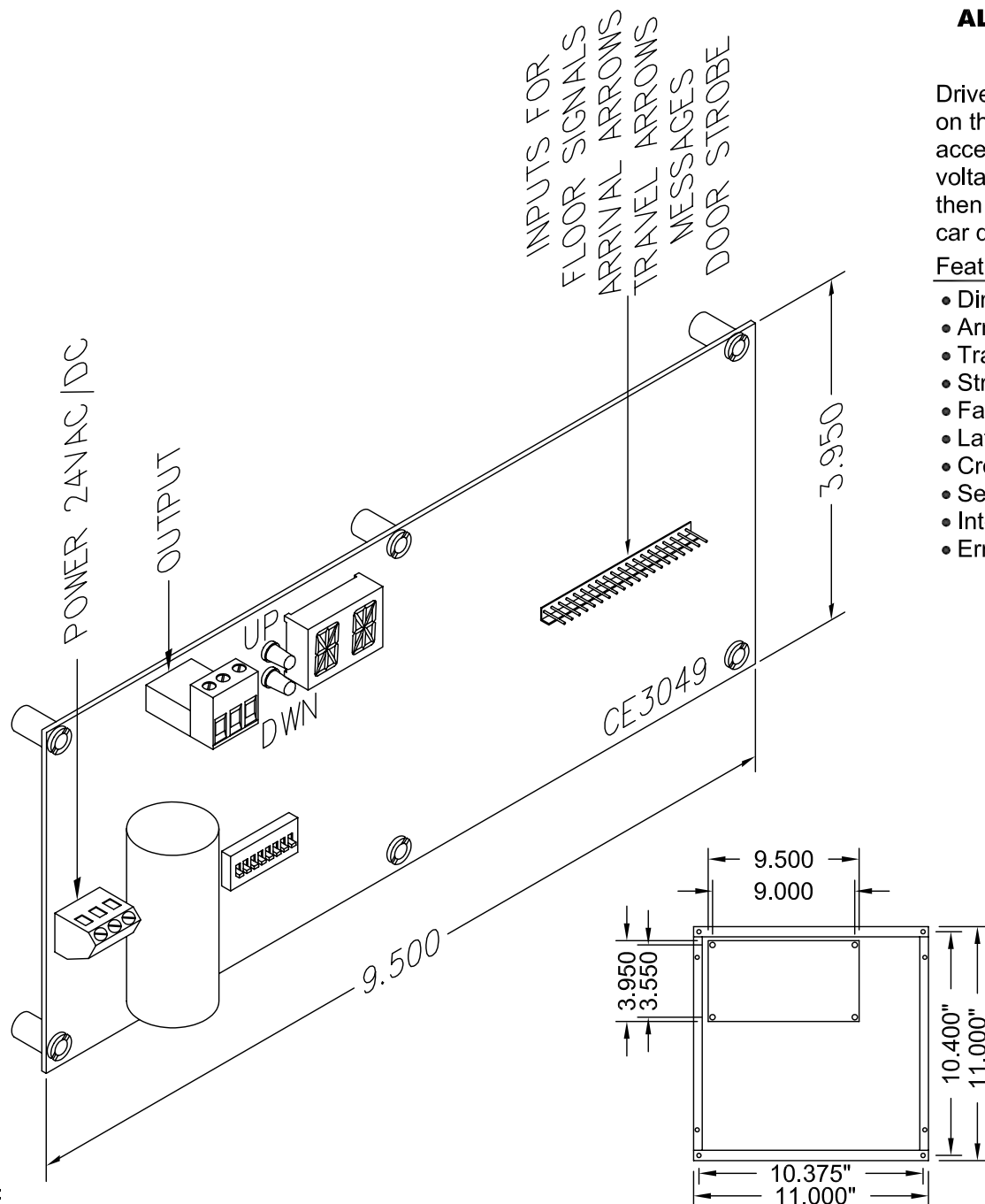
MICRO COMM®
 DRIVERS

ALL IN ONE CONTROL DRIVER BOARD

Drives any remote display indicator (RDI's, Voice, Lanterns) on the C.E. Micro Comm 3-wire display network. The "SHAIO" accepts the floor select signals in a choice of formats and voltages, does a redundancy check to verify correct inputs, then sends out all necessary signals for digital floor position, car direction and passing chime to all RDI's via 3 wires.

Features:

- Din Rail Mountable
- Arrival (Next Direction) arrows
- Traveling arrows
- Strobe (voice)
- Fast, 3-wire hookup
- Latched inputs
- Cross wire protected
- Self testing
- Integrated Alternate message module capable of 7 prioritized messages
- Error detection and correction feature



TO ORDER: - SHAIO - X X X X X X X

SIGNAL VOLTAGE:

- "A" = + or - 6-20VDC, 6-24VAC
- "B" = + or - 24-48VDC, 24-48VAC
- "C" = 120VAC
- "D" = + or - 125VDC

SIGNAL FORMAT:

- "1" = SINGLE LINE/FLOOR *
- "2" = BINARY
- "3" = UNITS & TENS *
- "4" = GRAY CODE
- "5" = INVERTED BINARY
- "6" = SPECIAL

TRAVEL ARROW VOLTAGE

- "A" = + or - 6-20VDC, 6,24VAC
- "B" = + or - 24-48VDC, 24-48VAC
- "C" = 120VAC
- "D" = + or - 125VDC

TRANSFORMER/BUILD
 "B" = SWITCHABLE 110/220VAC W/BOX
 "X" = NO TRANSFORMER, NO BOX

MAMMI VOLTAGE (messages)

- "A" = + or - 6-20VDC, 6,24VAC
- "B" = + or - 24-48VDC, 24-48VAC
- "C" = 120VAC
- "D" = + or - 125VDC

STROBE VOLTAGE (speech)

- "A" = + or - 6-20VDC, 6,24VAC
- "B" = + or - 24-48VDC, 24-48VAC
- "C" = 120VAC
- "D" = + or - 125VDC

ARRIVAL ARROW VOLTAGE (next direction)

- "A" = + or - 6-20VDC, 6,24VAC
- "B" = + or - 24-48VDC, 24-48VAC
- "C" = 120VAC
- "D" = + or - 125VDC

NOTE:

*1. May require external decoder board.