
5.0 Pre - Installation Hints

5.1 MOUNTING

Nearby external sources of electrical interference, such as sources of RF signal transmitters (portable two way radio, cellular phones etc.), and/or nearby EMI noise producers may contribute to disturbing the electrical environment of the reader. Depending on the external noise signal strength of the nearby transmitter, the read range maybe reduced or the card signal maybe masked by the external signal, resulting in a no read.

Below is a list of possible installation problems that should be considered in the reader installation and wiring:

- Do not place ASR-503 wiring bundled in conduit with AC power cables, lock power, or signal wiring.
- Maintain all reader wiring 12" (30 cm) minimum distance away from other wiring to include, but not limited to AC power, computer data wiring, telephone wiring, or wiring to electric locking devices, etc.
- Do not install ASR-503 in areas where sources of broad spectrum EMI noise may be present. Examples of EMI broad spectrum noise producers are motors, pumps, generators, DC-AC converters, uninterruptable power supplies, AC switching relays, light dimmers, computer monitors, and CRTs.
- Do not install ASR-503 within 3.5' (1.1 m) of computer CRTs (monitors).

5.2 METAL MOUNTING

The ASR-503 reader may be mounted on any surface/material, including metal (such as an aluminum door frame). Mounting on metal will slightly decrease the read range. However, the ASR-503 may not be framed with or surrounded by metal of any kind. If the ASR-503 is installed in a metal enclosure, such as a parking stanchion, insure that the metal stands off by at least 1.6" (4 cm) on each side, and does not cover the face.

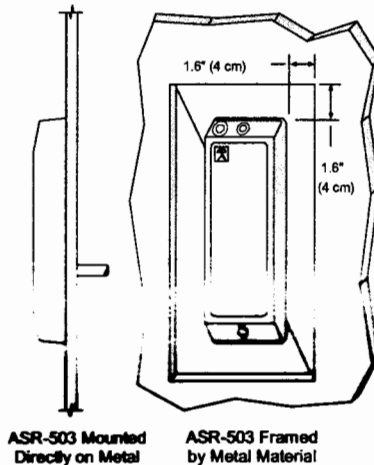


Figure 4. Metal Mounting