

# > CAB CAMERA C25100001

ELITE COLOR SECURITY ELEVATOR CAB CAMERA



## SECURITY

ELEVATOR CAB CAMERA



The Elite color security camera was designed to be mounted in the elevator in compact format powered from the Elite PI. It is intended to be used as part of the CE Elite Security System.

### DETAILS:

- > Mini Analog Color Camera
- > Hi Resolution: 380 Lines
- > Lux Rating: 1.0 Lux
- > S/N Ratio: >48db
- > FOV: 90°
- > Lens: 3.6mm Fixed
- > Output: Male BNC Connector
- > Signal System: PAL/NTSC
- > Effective Pixels: 512 x 582 PAL  
512 x 492 NTSC
- > Power Consumption: About 100ma
- > Power Input: Elite PI Interface
- > Operating Temp: -20° C to + 55° C

### OPTIONAL:

- > Unit can be mounted in car and use a Micro Comm / Otis Serial interface board the size of RS14 for power.

### IMAGE:

- > METAL BRACKET: 3" x 1.5" (shown size)

**C.E. Electronics Ltd.**

Marlow, Bucks, UK | Ph: +44 (0) 1628 487633

www.cееlectronics.com

**C.E. Electronics, Inc.**

Bryan, OH, USA | Ph: (419) 636-6705





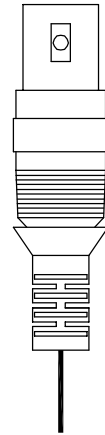
C.E. Electronics, Inc.  
 2107 Industrial Drive  
 Bryan, OH 43506  
 PH (419) 636-6705 FX (419) 636-2516  
 www.ceelectronics.com

# CAB CAMERA C25100001

Ver. 3 Rel. 08/05/2011

**SECURITY**

**VIDEO  
BNC CONNECTOR**



**MTA  
POWER CABLE**

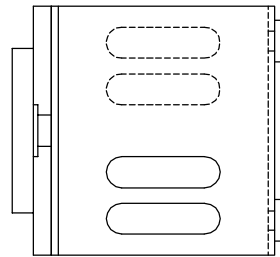
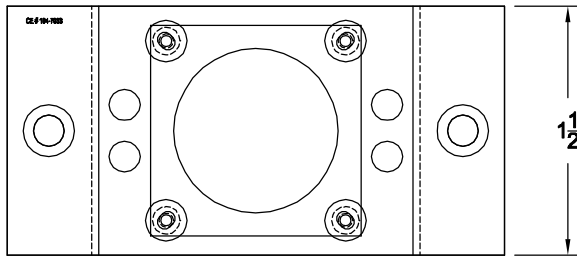
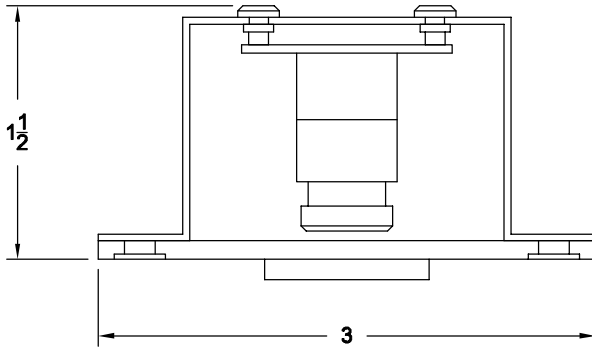


**CAMERA**

The Elite color security camera was designed to be mounted in the elevator is compact format powered from the Elite PI. It is intended to be used as part of the CE Elite Security System.

**Features:**

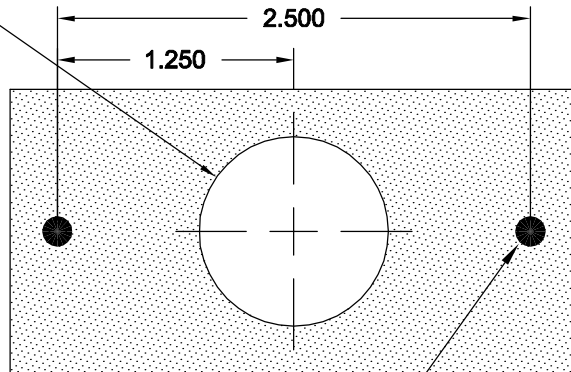
- Mini Analog Color Camera
- Hi Resolutions: 380 Lines
- Lux Rating: 1.0 Lux
- S/N Ratio: >48db
- FOV: 90°
- Lens: 3.6mm Fixed
- Output: Male BNC Connector
- Signal System: PAL/NTSC
- Effective Pixels: 512 x 582 PAL  
512 x 492 NTSC
- Power Consumption: About 100ma
- Power Input: Elite PI Interface
- Operating Temp: -20°C to +55°C
-  E151621



**TO ORDER - SPECIFY CAB CAMERA**

Ø1.000 HOLE  
REQUIRED

**PANEL PREPARATION**



#6-32 x 1 STUD MIN.  
2 PLACES

**OPTIONAL:**

Unit can be mounted in car and use a Micro Comm / Otis Serial interface board the size of RS14 for power.

