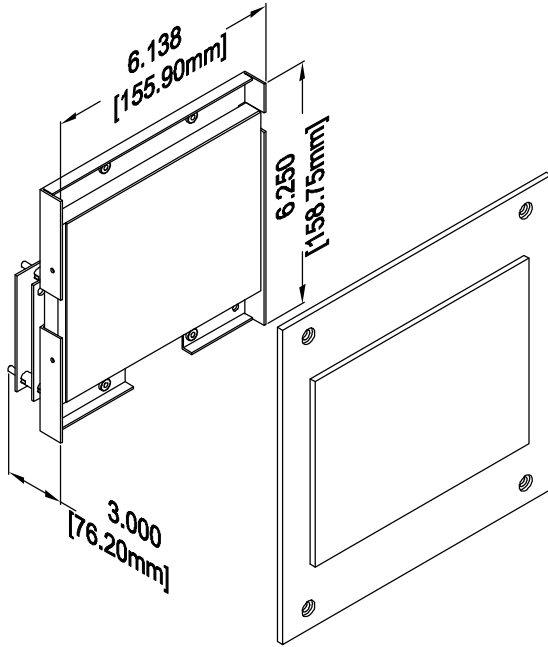




# EMN65-AH PRELIMINARY

Ver. 1 Rel. 12/20/10

MINI PI™



## 6.5" Mini

The Mini is a flexible information indicator which can be customized for any building or corporation. This customization can reflect architectural elements, color schemes, and corporate identity. Within this customization, information can be presented to passengers regarding the elevator's current position and direction, arrival arrows along with priority messages from the controller. It's also designed to be a destination type display showing floors served when in destination mode. These units also have a non-movement blanking to help preserve backlight life.

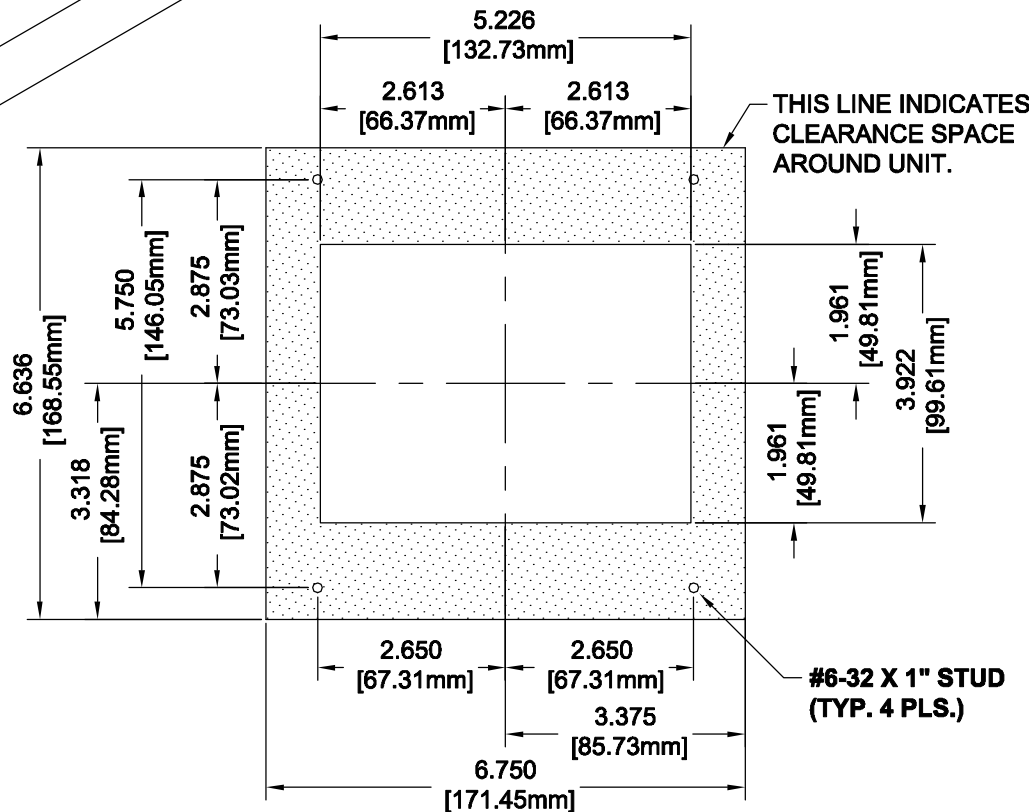
### Typical Applications

- Car operating panel
- Car transom
- Lobby/arrival
- Destination Display
- Messaging

### Features:

- Passing chime output
- Self testing
- Low profile
- Destination Display
- Backlight saver function / default on

## PANEL PREP



TO ORDER: - EMN65 - AH

# PRELIMINARY

DESCRIPTION	DRAWING NAME
PANEL PREP.	PP65-2
DETAIL DIM.	DD65-2