



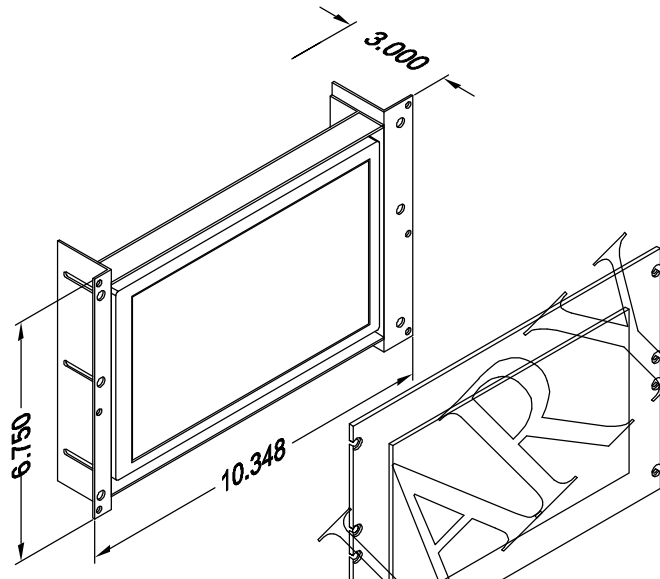
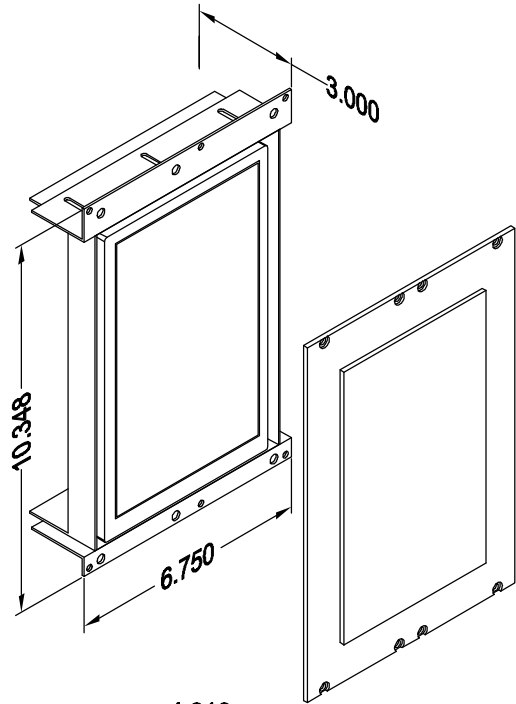
EMN90-AHX

Ver. 1 Rel. 08/03/2011

MAX PI™

VERTICAL

HORIZONTAL



9.0" Max

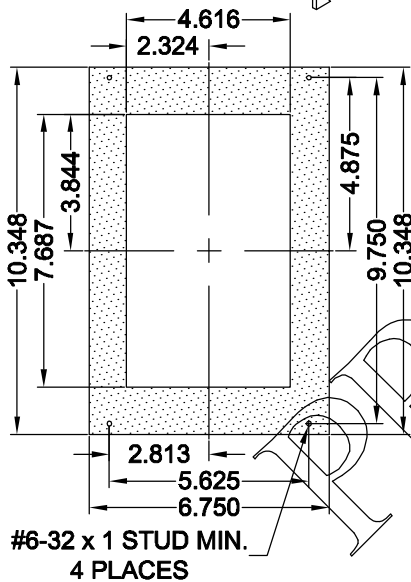
The Max is a flexible information indicator which can be customized for any building or corporation. This customization can reflect architectural elements, color schemes, and corporate identity. Within this customization, information can be presented to passengers regarding the elevator's current position and direction, arrival arrows along with priority messages from the controller. It's also designed to be a destination type display showing floors served when in destination mode. These units also have a non-movement blanking to help preserve backlight life.

Typical Applications

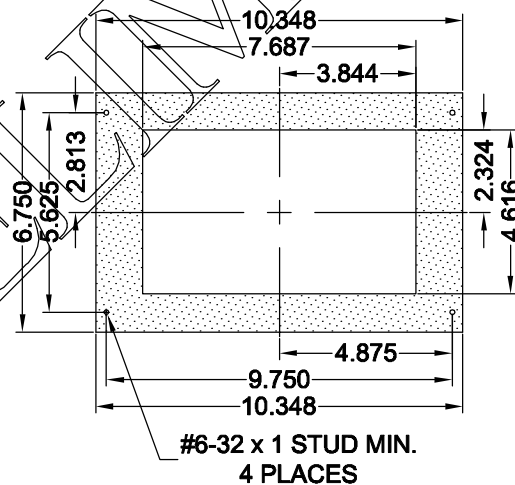
- Car operating panel
- Car transom
- Lobby/arrival
- Destination Display
- Messaging

Features:

- Passing chime output
- Self testing
- Low profile
- Destination Display
- Backlight saver function / default on



PANEL PREP



PANEL PREP

TO ORDER: - EMN90 - AHX

"H" = HORIZONTAL
 "V" = VERTICAL

HORIZONTAL RELATED DRAWINGS	
DESCRIPTION	DRAWING NAME
PANEL PREP.	PP90-1
DETAIL DIM.	DD90-1
VERTICAL RELATED DRAWINGS	
DESCRIPTION	DRAWING NAME
PANEL PREP.	PP90-2
DETAIL DIM.	DD90-2