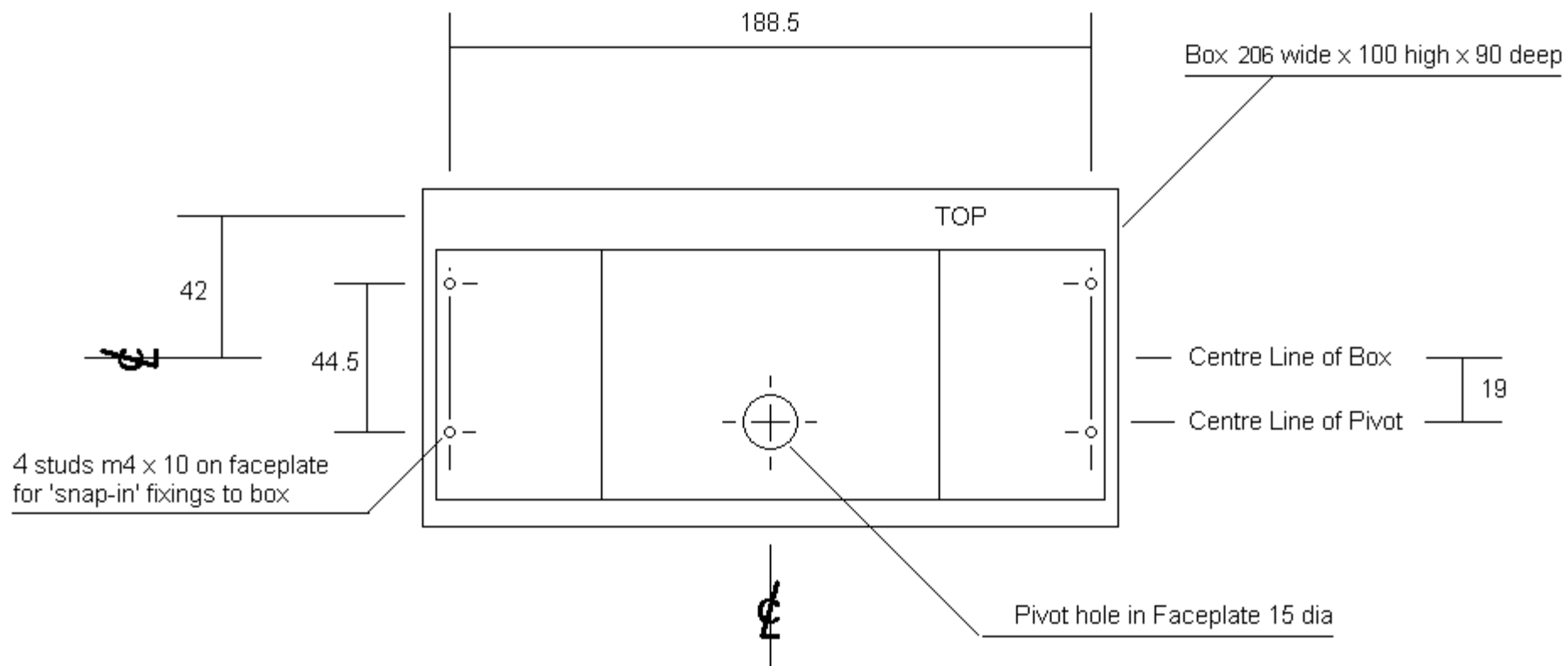


## Mounting dimensions for 180° Sweep Indicator



**C. E. Electronics Ltd**

**P.O. Box 1679, Marlow, Bucks, SL7 3ZG, UK**

**Tel: +44 (0) 1628 487633 Fax: +44 (0) 20 7855 0819 Web: [www.ceelectronics.co.uk](http://www.ceelectronics.co.uk)**