

> D.U.M.B. LOW VOLTAGE LED LIGHTING SYSTEM



LIGHTING ELEVATOR CAB LIGHTING

The D.U.M.B. series Low Voltage LED Lighting System was designed to be retrofitted into existing Cab Lighting that use Edison Screw Base lamps. The system allows the existing fixtures to run at 13.8 volts and have a warm white low voltage LED lamp replace the incandescent bulbs.

FEATURES:

- > Low voltage lighting
- > Warm white 3W LED lamp with an Edison Screw Base Lamps
- > Power Efficient
- > Reduced Cab Heat
- > Easy Installation
- > Complete Installation Kit
- > Uses CE#24010031 3W, WW LED Lamp

METAL:

- > Fixture Kit Shown

C.E. Electronics Ltd.

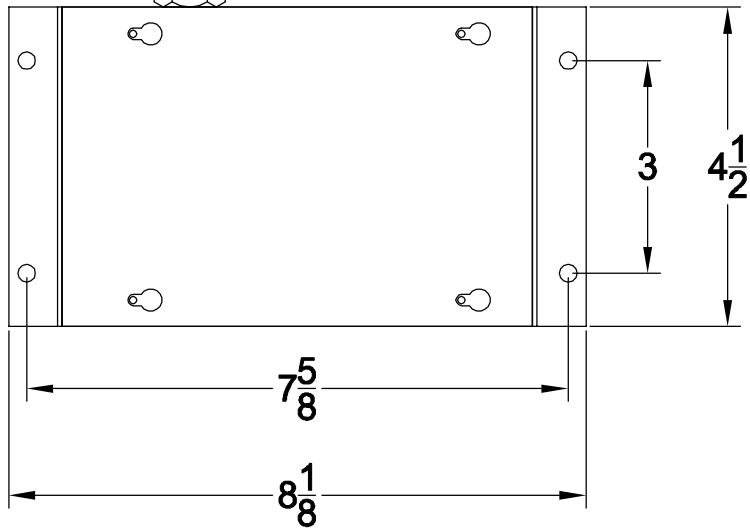
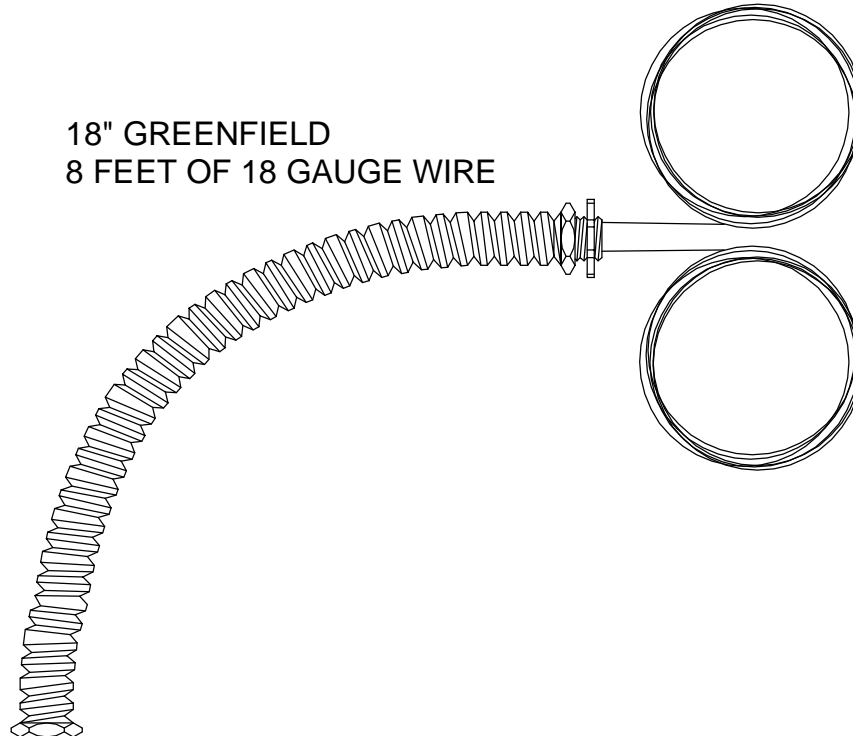
Marlow, Bucks, UK | Ph: +44 (0) 1628 487633 | www.cееlectronics.com | Bryan, OH, USA | Ph: (419) 636-6705

C.E. Electronics, Inc.





18" GREENFIELD
 8 FEET OF 18 GAUGE WIRE



ELEVATOR CAB LIGHTING

The D.U.M.B series Low Voltage LED Lighting System was designed to be retrofitted into existing Cab Lighting that use Edison Screw Base lamps. The system allows the existing fixture to run at 13.8 volts and have a warm white low voltage LED lamp replace the incandescent bulbs.

Features:

- Low voltage lighting
- Warm white 3W LED lamp with an Edison Screw Base Lamps
- Power Efficient
- Reduced Cab Heat
- Easy Installation
- Complete Installation Kit
- Uses CE# 24010031 3W, WW LED Lamp

-  E221238

NOTE:

Drives the MR16 AND MRESB CE LED BULBS

TO ORDER:-SPECIFY DUMB - X

