

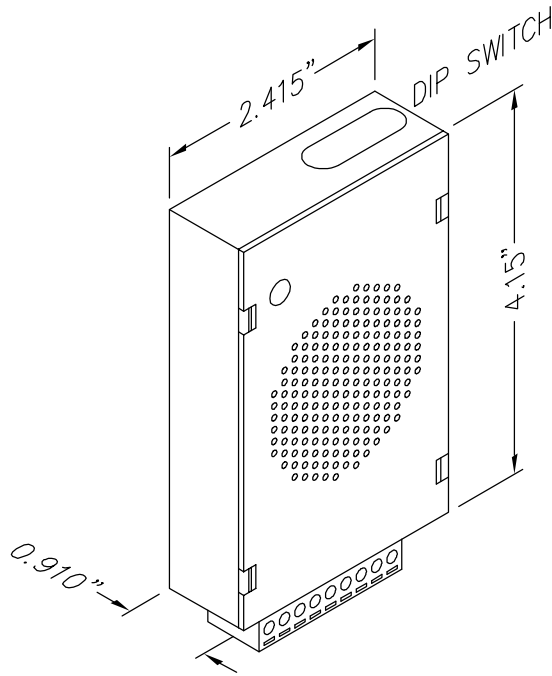


C.E. Electronics, Inc.
2107 Industrial Drive
Bryan, OH 43506
PH (419) 636-6705 FX (419) 636-2516
www.ceelectronics.com

SKOFF

Ver. 2 Rel. 8/02/2011

LIGHTING



INTELLIGENT LIGHTING SHUTOFF

A solid state light override circuit unit that looks at door close signals and after a pre determined time, operates a relay that turns lamp/fan circuit off. Door signals that change the state of the control, restores the lamp circuit. Device also has a phone interrupt circuit that overrides the device for 24 hours.

Features:

- Adjustable time signal
- Compact design
- Fast 3M Velcro fastener
- 8A, 250V Relay
- Door signal invert dip switch
- 12-30volt power input
- Otis RSL or Micro Comm power input accepted

TO ORDER:-SPECIFY SKOFF