



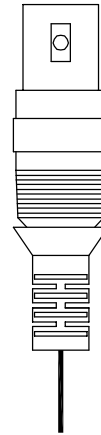
C.E. Electronics, Inc.
 2107 Industrial Drive
 Bryan, OH 43506
 PH (419) 636-6705 FX (419) 636-2516
 www.ceelectronics.com

CAB CAMERA C25100001

Ver. 3 Rel. 08/05/2011

SECURITY

**VIDEO
BNC CONNECTOR**



**MTA
POWER CABLE**

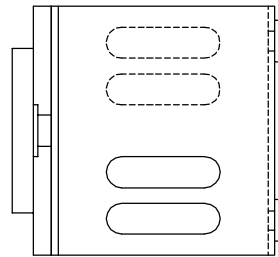
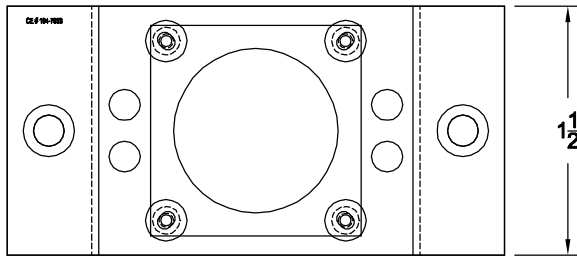
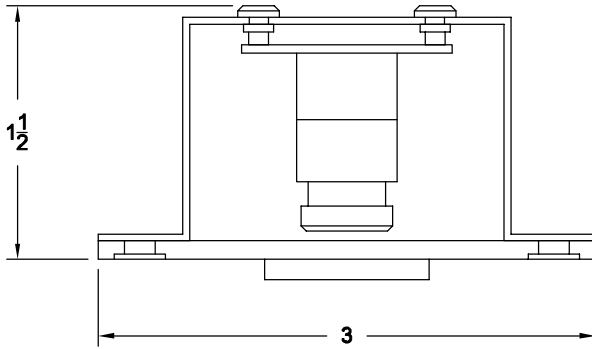


CAMERA

The Elite color security camera was designed to be mounted in the elevator is compact format powered from the Elite PI. It is intended to be used as part of the CE Elite Security System.

Features:

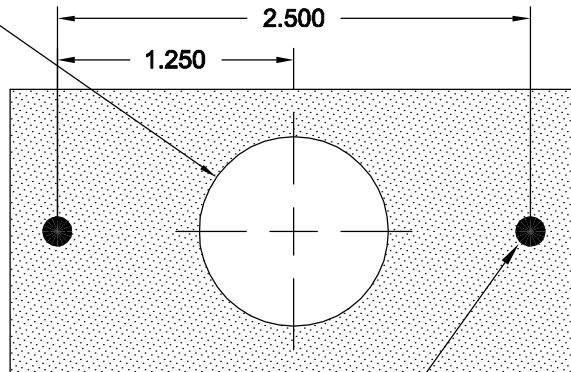
- Mini Analog Color Camera
- Hi Resolutions: 380 Lines
- Lux Rating: 1.0 Lux
- S/N Ratio: >48db
- FOV: 90°
- Lens: 3.6mm Fixed
- Output: Male BNC Connector
- Signal System: PAL/NTSC
- Effective Pixels: 512 x 582 PAL
512 x 492 NTSC
- Power Consumption: About 100ma
- Power Input: Elite PI Interface
- Operating Temp: -20°C to +55°C
-  E151621



TO ORDER - SPECIFY CAB CAMERA

Ø1.000 HOLE
REQUIRED

PANEL PREPARATION



#6-32 x 1 STUD MIN.
2 PLACES

OPTIONAL:

Unit can be mounted in car and use a Micro Comm / Otis Serial interface board the size of RS14 for power.

