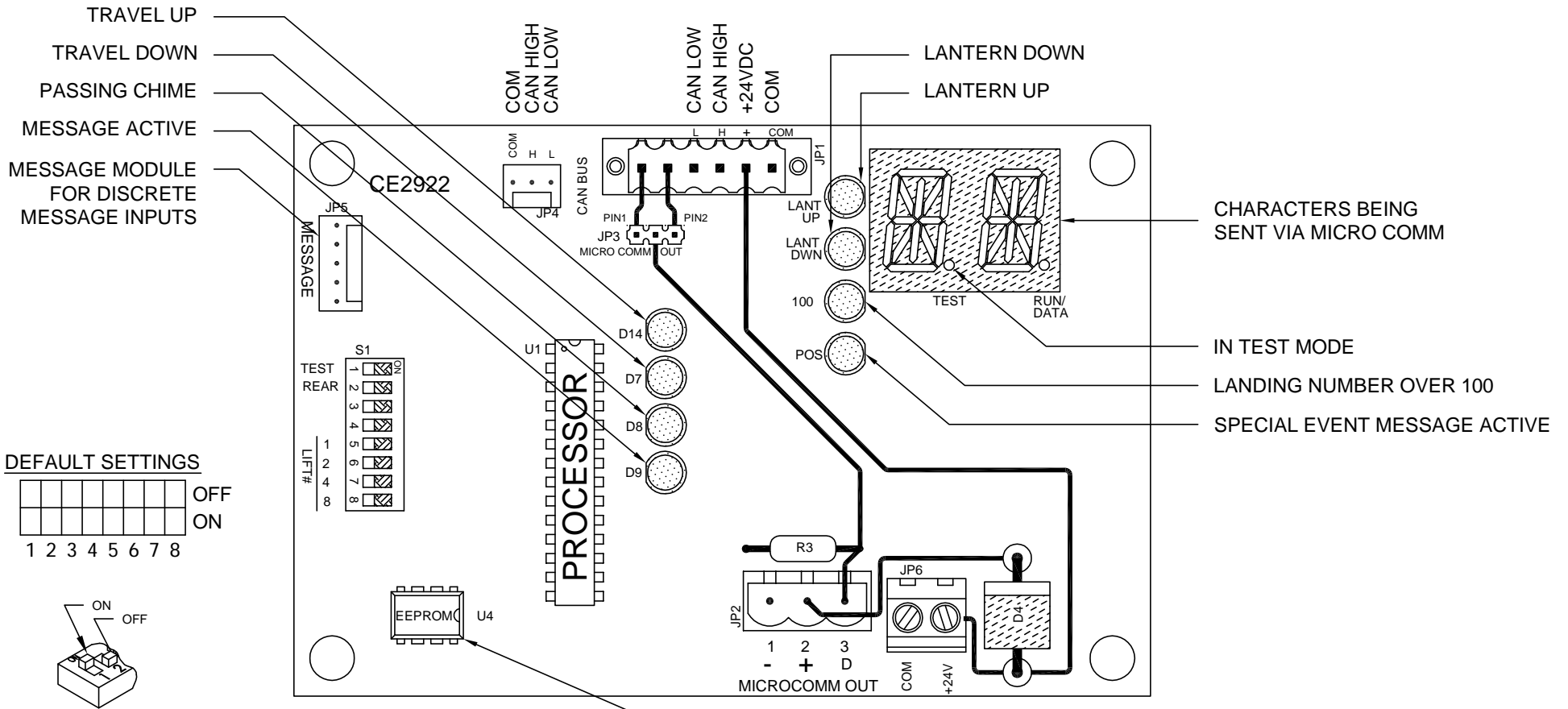
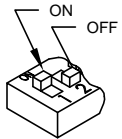
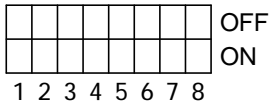


M-TCM

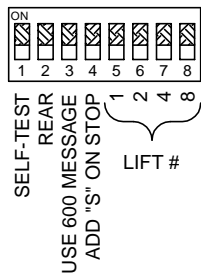
JOB# _____



DEFAULT SETTINGS



DIP SWITCH DETAIL



| USE DATA FOR: | DS5 | DS6 | DS7 | DS8 |
|---------------|-----|-----|-----|-----|
| ANY LIFT | 0 | 0 | 0 | 0 |
| LIFT 1 | 1 | 0 | 0 | 0 |
| LIFT 2 | 0 | 1 | 0 | 0 |
| LIFT 3 | 1 | 1 | 0 | 0 |
| LIFT 4 | 0 | 0 | 1 | 0 |
| LIFT 5 | 1 | 0 | 1 | 0 |
| LIFT 6 | 0 | 1 | 1 | 0 |
| LIFT 7 | 1 | 1 | 1 | 0 |
| LIFT 8 | 0 | 0 | 0 | 1 |
| LIFT 9 | 1 | 0 | 0 | 1 |
| LIFT 10 | 0 | 1 | 0 | 1 |
| LIFT 11 | 1 | 1 | 0 | 1 |
| LIFT 12 | 0 | 0 | 1 | 1 |
| LIFT 13 | 1 | 0 | 1 | 1 |
| LIFT 14 | 0 | 1 | 1 | 1 |
| LIFT 15 | 1 | 1 | 1 | 1 |

EEPROM IS INSTALLED TO:

- CHANGE THE LANDING ASCII CHARACTERS
- SET UP THE MESSAGE BLOCK, FIRE MAIN, OR FIRE ALT CONDITIONS
- CHANGE THE SPECIAL MESSAGE ASCII CHARACTERS

JP3 IS USED TO SET WHICH PIN OF JP1 HAS THE MICRO COMM DATA. USE THE SHUNT PROVIDED TO CONNECT PIN ONE OR PIN TWO OF JP1 TO THE CENTER PIN OF JP3

CODE VERSION _____

BOARD VERSION CE2922 _____

| | | | |
|---|-------------------------|---------------------|--|
| DATE DRAWN: 02/12/07 | DRAWN BY: DAC | REQUESTED BY: JK | C.E. ELECTRONICS, INC. 2107 Industrial Drive Bryan, Ohio 43006 (419) 636-6705 |
| BOARD NUMBER: CE2922 | LAST DATE REVISED: - | APPROVED BY: | |
| PRODUCT: M-TCM CAN BUS TO MICRO COMM INTERFACE | | | |
| DWG. NO.: M-TCM_01 | | | REV: - |