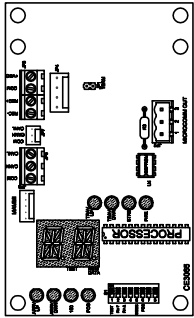


THYCAN

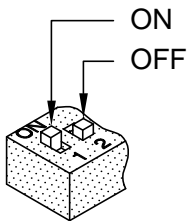
JOB# _____

FLASHING indicates unit is receiving data from the data link.

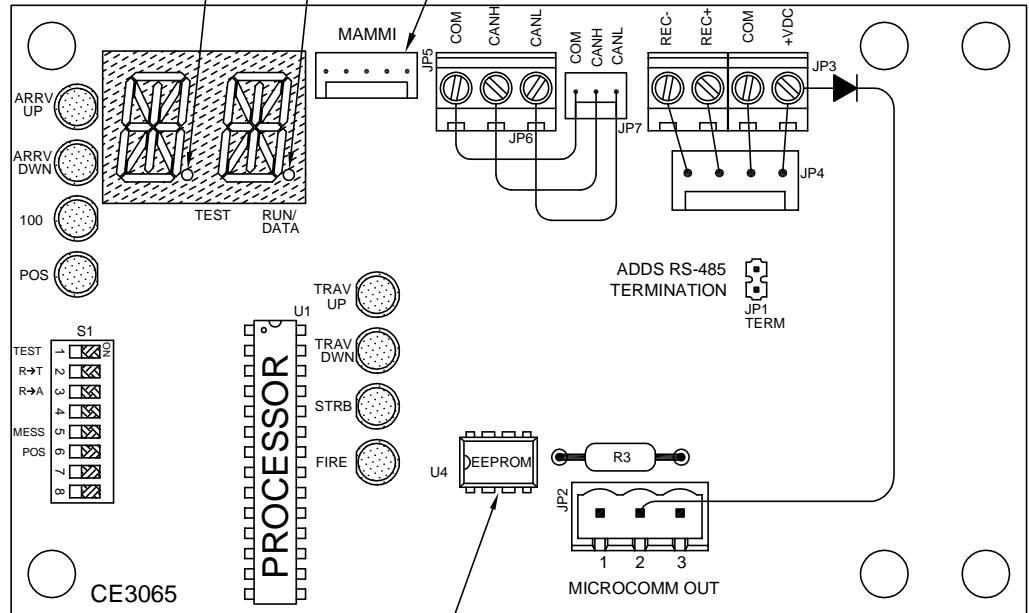
ON indicates unit is in self-test mode and ignores the data link.



NOTE: Display cube can be rotated to use the board in a vertical orientation.



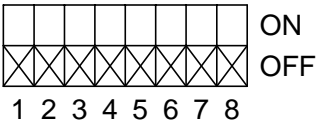
OPTIONAL MESSAGE MODULE



EEPROM is used to output different ASCII characters for the floor position number (scan slot) than those received. Output can be up to three ASCII characters.

COM
PWR
DATA

DEFAULT SETTINGS



ALL DIP SWITCHES OFF = NORMAL OPERATING MODE. DIP SWITCH FUNCTIONS ARE LISTED BELOW.

DIP SWITCH	FUNCTION
1	ON = SELF-TEST MODE. THE UNIT IGNORES DATA LINK INPUTS.
3	ON = USE 50 kHz CAN LINK. OFF = USE 100 kHz CAN LINK.
5	ON = THE UNIT DISPLAY ALTERNATELY SHOWS THE LOWER TWO ASCII CHARACTERS OF FLOORS AND MESSAGES. THE "100" LED LIGHTS WHEN DISPLAYING A MESSAGE.
6	ON = THE UNIT DISPLAY SHOWS THE FLOOR POSITION NUMBER INSTEAD OF THE ASCII CHARACTERS.
7	ON WITH EEPROM INSTALLED = ACTIVATE PASSING CHIME WHEN BIT IS SET IN EEPROM FOR THAT FLOOR POSITION NUMBER.
2,4,8	NOT USED. SHOULD BE KEPT IN THE OFF POSITION.

CODE VERSION _____

BOARD VERSION CE3065 _____

DATE DRAWN: 10/27/08	DRAWN BY: DAC	REQUESTED BY: JK	<p>C.E. ELECTRONICS, INC. 2107 Industrial Drive Bryan, Ohio 43506 (419) 636-6705</p>
BOARD NUMBER: 3065	LAST DATE REVISED: -	APPROVED BY:	
PRODUCT TKE CANBUS TO MICRO COMM INTERFACE			
DWG. NO. THYCAN_01			REV: -