

MCCA-XXXXXXXX

CENTRAL CONTROL UNIT ("CCU")



MICRO COMM DRIVERS

CENTRAL CONTROL UNIT ("CCU")

Drives any remote display indicator (RDI's, Voice, Lanterns) on the C.E. Micro Comm 3-wire display network. The "MCCA" accepts the floor select signals in a choice of formats and voltages, does a redundancy check to verify correct inputs, then sends out all necessary signals for digital floor position, car direction and passing chime to all RDI's via 3-wires.

TYPICAL APPLICATIONS:

- > UL listed
- > Arrival arrows
- > Strobe
- > Fast, 3-wire hookup
- > Latched inputs
- > Cross wire protected
- > Self testing
- > With alternate message module capable of 8 prioritized messages
- > Drives multiple RDI's directly
- > Passing chime output
- > Error detection and correction feature



C.E. Electronics, Inc.
C.E. Electronics, Ltd.

2107 Industrial Drive Bryan, OH 43506
Marlow, Bucks, UK

ph: 419.636.6705

ph: +44 (0) 1628 487633

www.cееlectronics.com

www.cееlectronics.co.uk

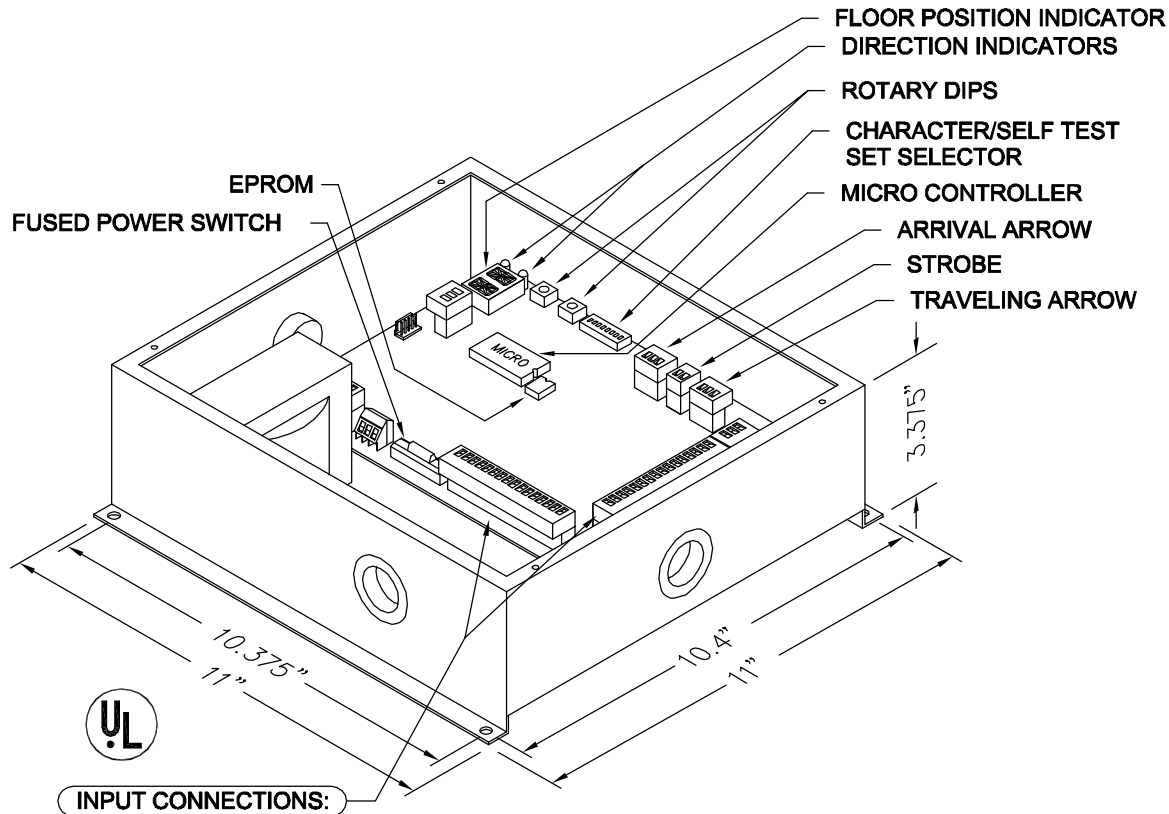


C.E. Electronics, Inc.
 2107 Industrial Drive
 Bryan, OH 43506
 PH (419) 636-6705 FX (419) 636-2516
 www.ceelectronics.com

MCCA-XXXXXXXX

Ver. 1 Rel. 06/18/02

MICRO COMM[®]
 DRIVERS



CENTRAL CONTROL UNIT ("CCU")

UL listed controller

Drives any remote display indicator (RDI's, Voice, Lanterns) on the C.E. Micro Comm 3-wire display network. The "MCCA" accepts the floor select signals in a choice of formats and voltages, does a redundancy check to verify correct inputs, then sends out all necessary signals for digital floor position, car direction and passing chime to all RDI's via 3 wires.

Features:

- UL listed
- Arrival arrows
- Strobe
- Fast, 3-wire hookup
- Latched inputs
- Cross wire protected
- Self testing
- With Alternate message module capable of 8 prioritized messages
- Drives 31 RDI's directly
- Passing chime output
- Error detection and correction feature

TO ORDER: - MCCA - X X X X X X X

NUMBER OF INPUTS:
 "2" = 15 INPUT
 "4" = 31 INPUT
 "5" = 55 INPUT
 *"8" = 119 INPUT

SIGNAL VOLTAGE:
 "A" = POSITIVE 6-20VDC, 6-24VAC
 "B" = POSITIVE 24-48VDC, 24-48VAC
 "C" = 120VAC (Use POSITIVE build)
 "D" = POSITIVE 125VDC
 "E" = NEGATIVE 6-20VDC
 "F" = NEGATIVE 24-48VDC
 "G" = NEGATIVE 125VDC

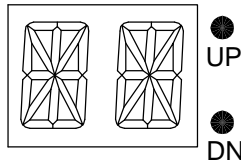
SIGNAL FORMAT:
 "1" = SINGLE LINE/FLOOR
 "2" = BINARY
 "3" = UNITS & TENS
 "4" = GRAY CODE
 "5" = INVERTED BINARY
 "6" = SPECIAL

TRANSFORMER/BUILD
 "A" = 110/120VAC Transformer w/Box
 "B" = 110/120VAC Transformer w/o Box
 "E" = 220/230VAC Transformer w/Box
 "F" = 220/230VAC Transformer w/o Box
 "X" = No Box/No Transformer

STROBE VOLTAGE
 "A" = POSITIVE 6-20VDC, 6-24VAC
 "B" = POSITIVE 24-48VDC, 24-48VAC
 "C" = 120VAC (Use POSITIVE build)
 "D" = POSITIVE 125VDC
 "E" = NEGATIVE 6-20VDC
 "F" = NEGATIVE 24-48VDC
 "G" = NEGATIVE 125VDC

ARRIVAL ARROW VOLTAGE
 "A" = POSITIVE 6-20VDC, 6-24VAC
 "B" = POSITIVE 24-48VDC, 24-48VAC
 "C" = 120VAC (Use POSITIVE build)
 "D" = POSITIVE 125VDC
 "E" = NEGATIVE 6-20VDC
 "F" = NEGATIVE 24-48VDC
 "G" = NEGATIVE 125VDC

TRAVEL ARROW VOLTAGE
 "A" = POSITIVE 6-20VDC, 6-24VAC
 "B" = POSITIVE 24-48VDC, 24-48VAC
 "C" = 120VAC (Use POSITIVE build)
 "D" = POSITIVE 125VDC
 "E" = NEGATIVE 6-20VDC
 "F" = NEGATIVE 24-48VDC
 "G" = NEGATIVE 125VDC



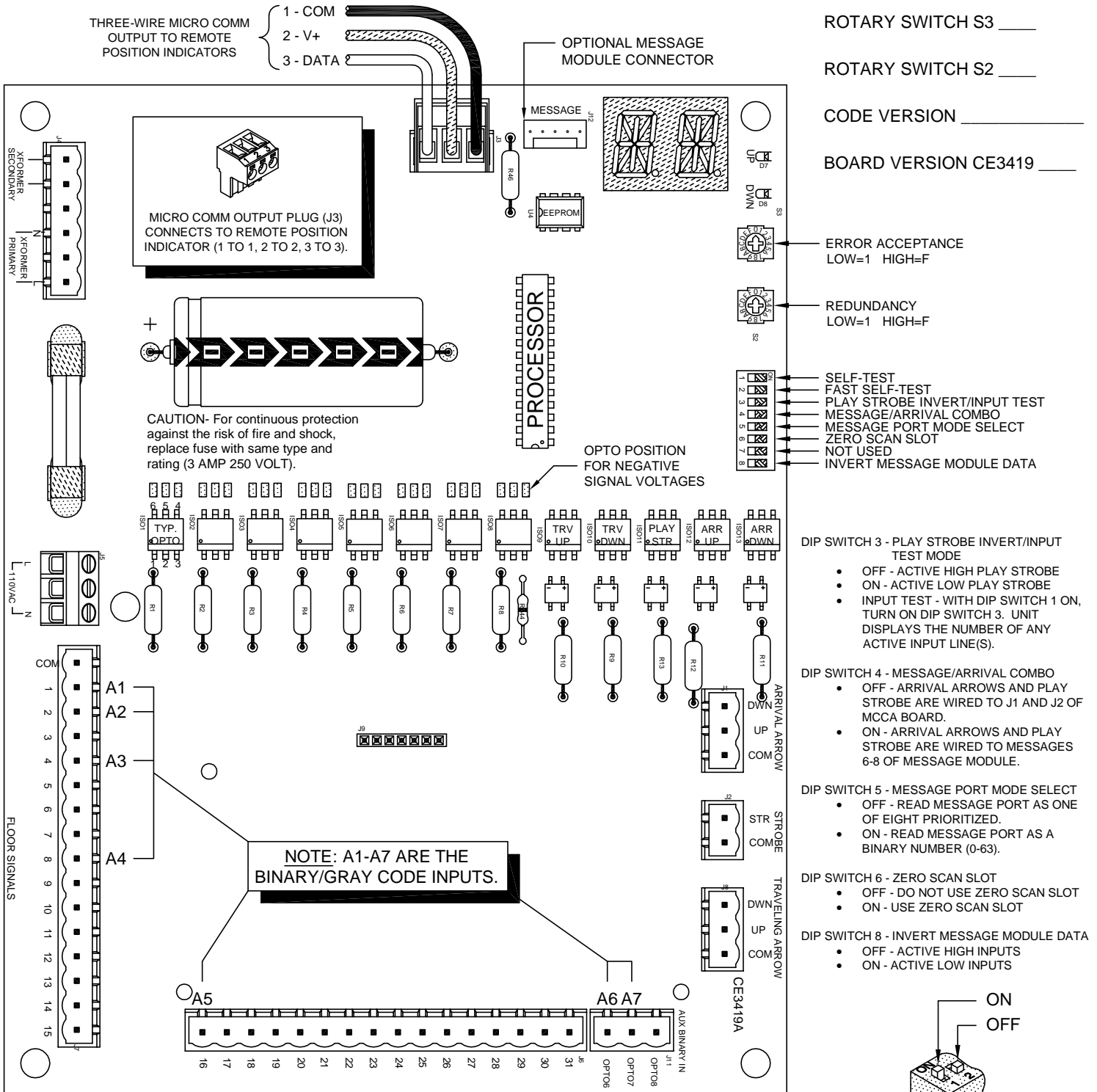
NOTE:

1. If a special voltage is required, please consult factory.
- *2. Requires external decoder board.

MCCA-X

15- OR 31-INPUT MICRO COMM DRIVER

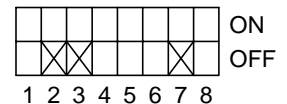
JOB# _____



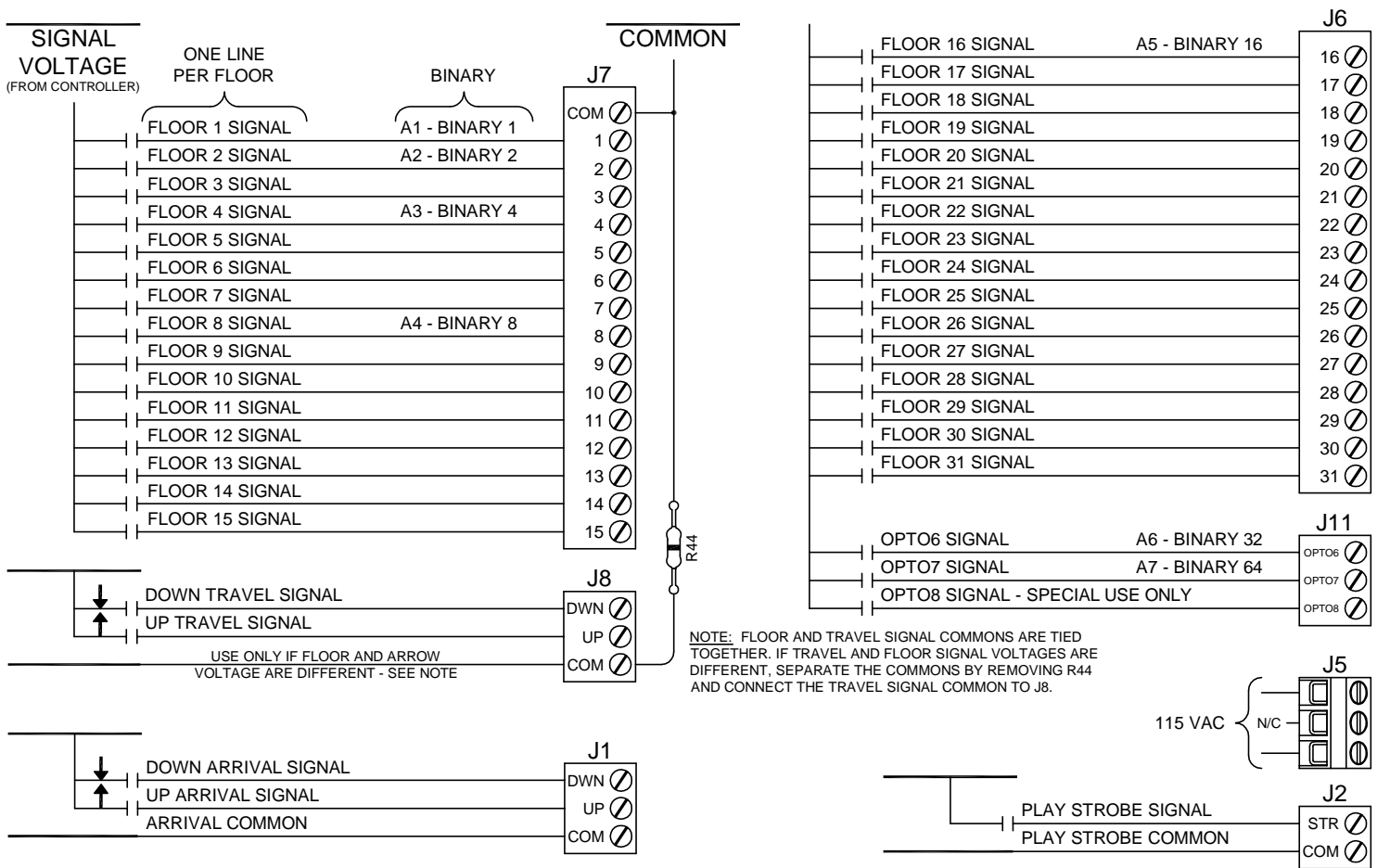
NOTES:

- MAXIMUM WIRE GAUGE FOR SIGNAL AND POWER IS 12AWG.
- SIGNAL LINES MUST BE FUSED TO LIMIT POTENTIAL TO 200VA.
- WIRE CONNECTIONS AND BINARY CHART ON BACK OF DIAGRAM.

DEFAULT SETTINGS



DATE DRAWN: 01/16/08	DRAWN BY: DAC	REQUESTED BY: JK	C.E. ELECTRONICS, INC. 2107 Industrial Drive Bryan, Ohio 43308 (419) 636-6705
BOARD NUMBER: 3419	LAST DATE REVISED: 09/13/10	APPROVED BY:	
PRODUCT: MCCA-X - 15- OR 31-INPUT MICRO COMM DRIVER			DWG. NO. MCCA4009 REV. B



BINARY FLOOR CHART

BINARY FLOOR CHART			BINARY BITS
64	32	16	
A7	A6	A5	A4 - 8
A3	A2	A1	A1 - 1
1000000			
0111111	0101111	0011111	0001111
0111110	0101110	0011110	0001110
0111101	0101101	0011101	0001101
0111100	0101100	0011100	0001100
0111011	0101011	0011011	0001011
0111010	0101010	0011010	0001010
0111001	0101001	0011001	0001001
0111000	0101000	0011000	0001000
0110111	0100111	0010111	0000111
0110110	0100110	0010110	0000110
0110101	0100101	0010101	0000101
0110100	0100100	0010100	0000100
0110011	0100011	0010011	0000011
0110010	0100010	0010010	0000010
0110001	0100001	0010001	0000001
0110000	0100000	0010000	0000000