

SKCAB-XXXXXX

ELEVATOR CAB LIGHTING



LIGHTING

ELEVATOR CAB LIGHTING

The SK-CAB battery backed cab lighting system was designed to provide an intelligent efficient LED based lighting solution for elevator cabs. In the event of a power outage, it also incorporates an emergency battery back up system to provide power for lights and a cab-operated alarm.

FEATURES:

- > Dimming input with on/off and 8 brightness settings.
 - > External light switch input.
 - > 30-month battery life indication.
 - > 3W and 9W models available.
 - > When activated in Emergency Power condition 2 of the Led Lamps are turned on using CE's Intelli-Socket design.
 - > This Intelli-Socket design monitors all circuits for Loads and keeps two of the LED's on while activated meeting ASME A17 code.
 - > Incorporates intelligent load software.
 - > Options for: 6V, 12V, and 24V alarm drivers.
 - > Optional: Sonalert Alarm added
 - > Cab-top or ceiling-mount / clam shell options available.
- + Optional: SKDIM remote dimmer feature available.

TYPICAL:

6 lamp ceiling with 50W lamps.

300W / 1000 x 24 hours x .10 kwft x 365 days = \$263.00

18W / 1000 x 24 hours x .10 kwft x 365 days = \$16.00

Watts vs. BTU 1 watt is 3.41 BTU

300W x 3.41 = 1023 BTU/HR

18W x 3.41 = 62 BTU/HR

961 BTU/HR / 3.41 = 282W \$247.00

Typical Savings \$494.00 / YR

SK077 | SK120:



C.E. Electronics, Inc.

C.E. Electronics, Ltd.

International Lift Equipment (ILE)

2107 Industrial Drive Bryan, OH 43506

Marlow, Bucks, UK

Highams Park, London, UK

ph: 419.636.6705

ph: +44 (0) 1628 487633

ph: 0208 527 9669

www.cееlectronics.com

www.cееlectronics.co.uk

www.ileweb.com

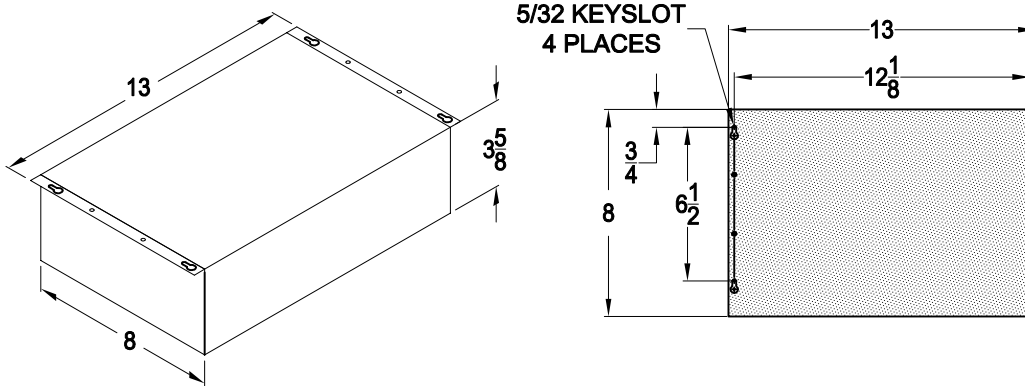




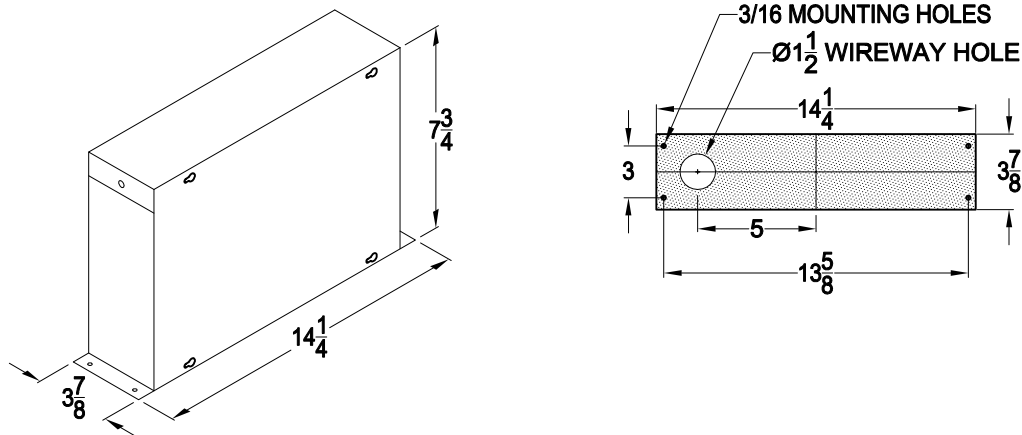
SKCAB-XXXXXX

Ver. 9 Rel. 10/11/2012

CEILING MOUNT (HORIZONTAL)



CAB TOP MOUNT (VERTICAL)



ELEVATOR CAB LIGHTING

The SK-CAB battery backed cab lighting system was designed to provide an intelligent efficient LED based lighting solution for elevator cabs. In the event of a power outage, it also incorporates an emergency battery back up system to provide power for lights and a cab-operated alarm.

Features:

- Dimming input with on/off and 8 brightness settings.
- External light switch input.
- 30-month battery life indication.
- 3W and 9W models available.
- When activated in Emergency Power condition 2 of the Led Lamps are turned on using CE's Intelli-Socket design. This Intelli-Socket design monitors all circuits for Loads and keeps two of the Led's on while activated meeting ASME A17 code.
- Incorporates intelligent load software.
- Options for: 6V, 12V, and 24V alarm drivers.
- Optional: Sonalert Alarm added
- Top of cab or ceiling-mount / clam shell options available.



- Optional: SKDIM remote dimmer feature available

Battery backup mode provides emergency power for:

- 2 lamps powered for 4 hours. Unit will automatically power two lamps. If the designated lamp socket is empty or a lamp burns out, a new lamp will be turned on.
- 1 bell powered for 1 hour. 80-90 DBA @ 3 meters

TO ORDER:-SPECIFY SKCAB - X X X X X X

WATTS:
 "03" = 3 WATTS - 6, 9 or 12 LAMP
 "09" = 9 WATTS - 6 or 9 LAMP MAX
 "ME" = MR16/E27

NUMBER OF LAMP OUTPUTS

"06" = 6 LAMPS
 "09" = 9 LAMPS
 "12" = 12 LAMPS - 3WATT ONLY

"X" = BATTERY W/ MULTI VOLT BELL OUTPUT
 NO BELL INCLUDED
 "D" = SONALERT ADDED
 "Z" = NO BATTERY

BOX:
 "H" = HORIZONTAL / CLAM SHELL
 "V" = VERTICAL / TOC

9.700"

Warning! - When you apply AC power to this box, it activates the battery backup circuitry. When AC power is removed, the battery begins to discharge. If you test the system before installation, or if you expect long-term power outages, disconnect the battery wires inside the box to avoid battery damage.



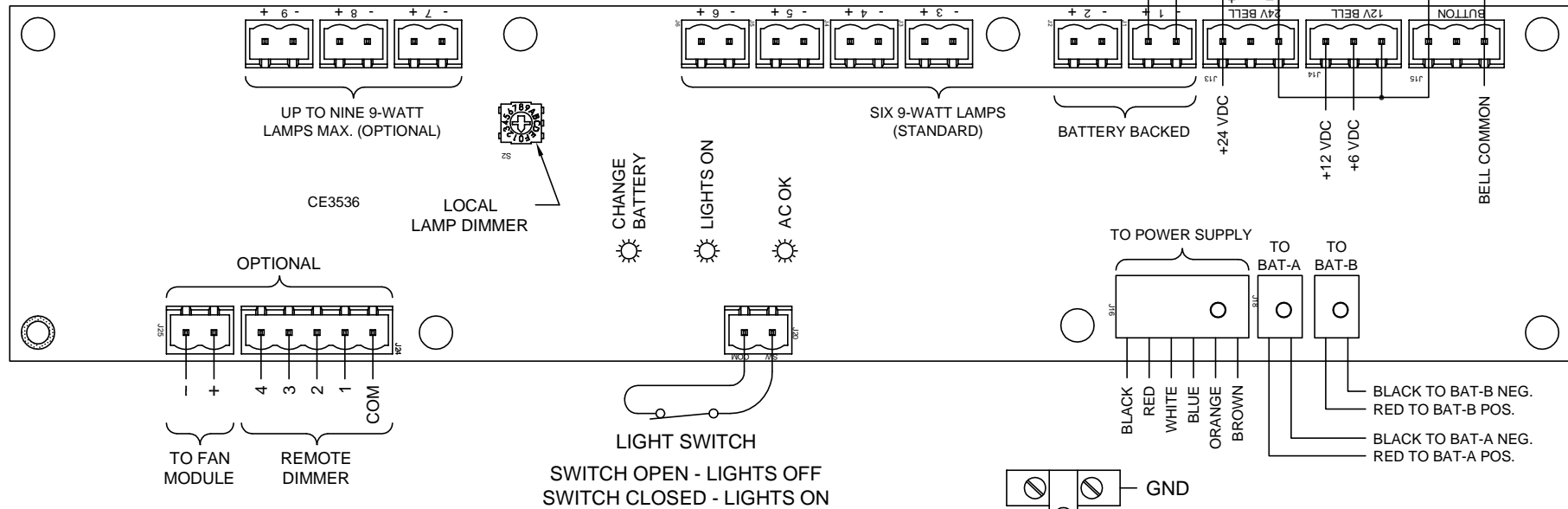
**CALL C.E. ELECTRONICS
AT (419) 636-6705 FOR
REPLACEMENT PARTS:
BATTERIES - 89083FM8
BATTERY HARNESS - 9X00000387**

DIMMER FUNCTION

- 0 - BRIGHTEST LEVEL
- 1 - LIGHTS OFF
- 2 - ONE LEVEL DIMMER
- 3 - TWO LEVELS DIMMER
- F - DIMMEST LEVEL

TYPICAL LAMP CONNECTION
PART# SK077L-X OR SK120L-X

OPTIONAL ALARM

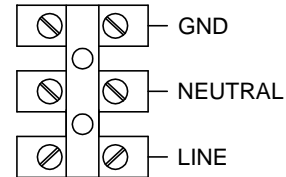


5.625"

Fan module output active when lights are ON

NOTE: To use a remote dimmer control, set the local dimmer control to 0

UNIT POWER
100 - 240 VAC
50 - 60 Hz



**SKCAB 9W
CAB LIGHTING BOARD**

C.E.# 11100187

9.700"

Warning! - When you apply AC power to this box, it activates the battery backup circuitry. When AC power is removed, the battery begins to discharge. If you test the system before installation, or if you expect long-term power outages, disconnect the battery wires inside the box to avoid battery damage.



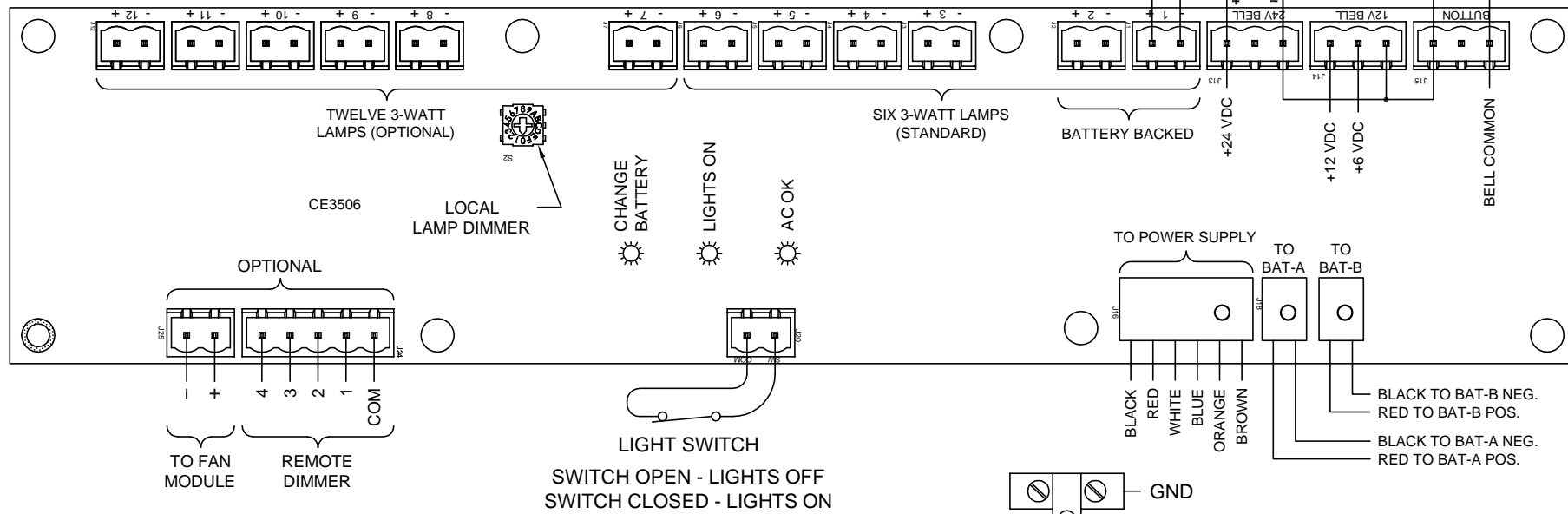
**CALL C.E. ELECTRONICS
AT (419) 636-6705 FOR
REPLACEMENT PARTS:
BATTERIES - 89083FM8
BATTERY HARNESS - 9X00000387**

DIMMER FUNCTION

- 0 - BRIGHTEST LEVEL
- 1 - LIGHTS OFF
- 2 - ONE LEVEL DIMMER
- 3 - TWO LEVELS DIMMER
- F - DIMMEST LEVEL

TYPICAL LAMP CONNECTION
PART# SK077L-X OR SK120L-X

OPTIONAL ALARM

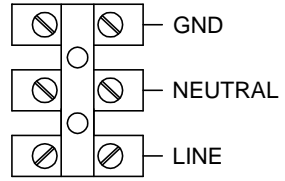


5.625"

Fan module output active when lights are ON

NOTE: To use a remote dimmer control, set the local dimmer control to 0

UNIT POWER
100 - 240 VAC
50 - 60 Hz



**SKCAB 3W
CAB LIGHTING BOARD**

C.E.# 11100188