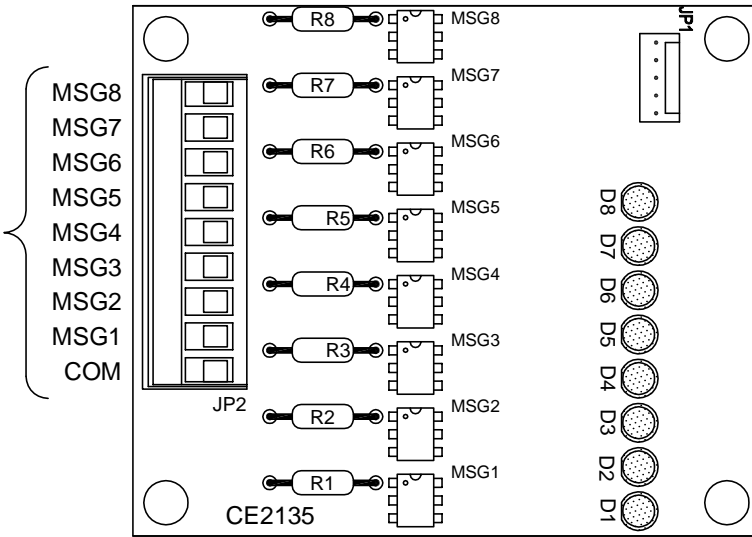


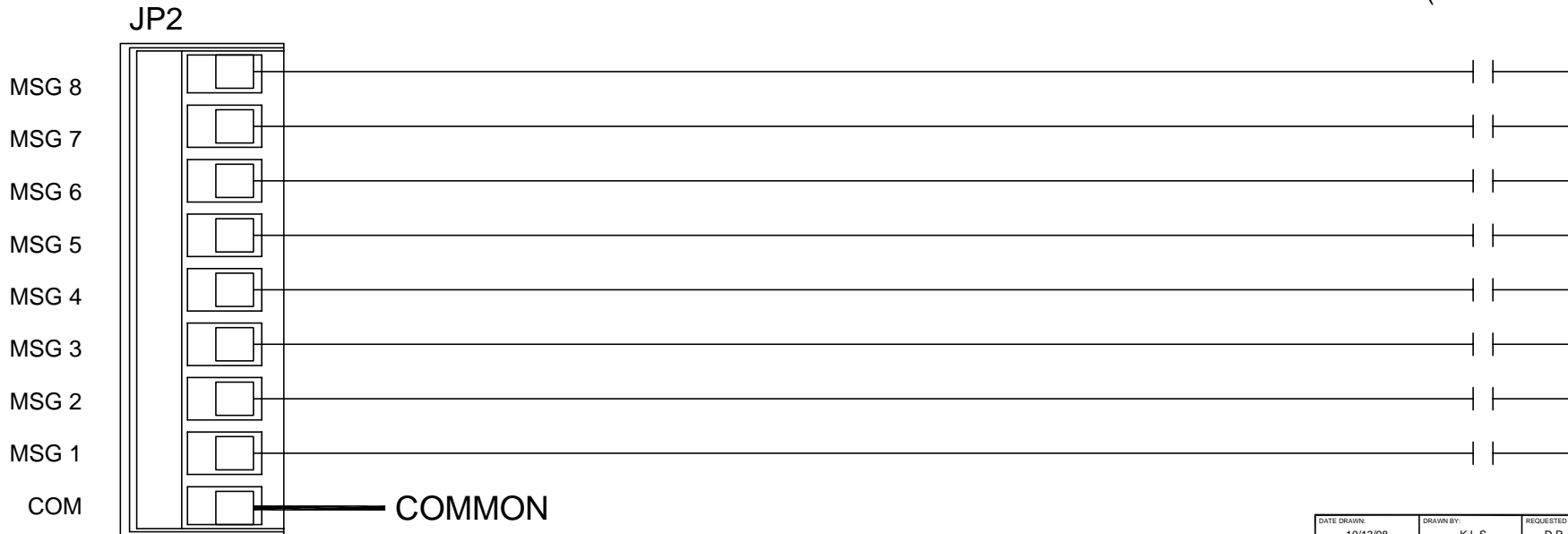
MAMM1-X

JOB# _____

MESSAGE SIGNAL INPUTS



SIGNAL VOLTAGE
(FROM CONTROLLER)



DATE DRAWN: 10/13/98	DRAWN BY: K.L.S.	REQUESTED BY: D.R., D.C.	 C.E. ELECTRONICS, INC. 2107 Industrial Drive Bryan, Ohio 43506 (419) 636-6705
BOARD NUMBER: 2135	LAST DATE REVISED: 08/10/07	APPROVED BY:	
PRODUCT: MAMM1-X MESSAGE MODULE			
DWG. NO.: MAMM1001			REV: C