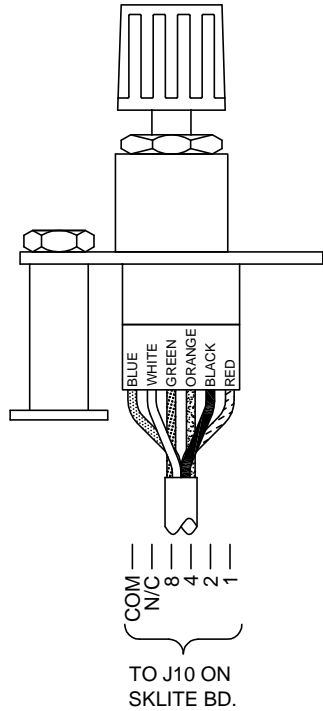


CAB LIGHTING BOARD

SKLITE - 3W, 6 LAMPS

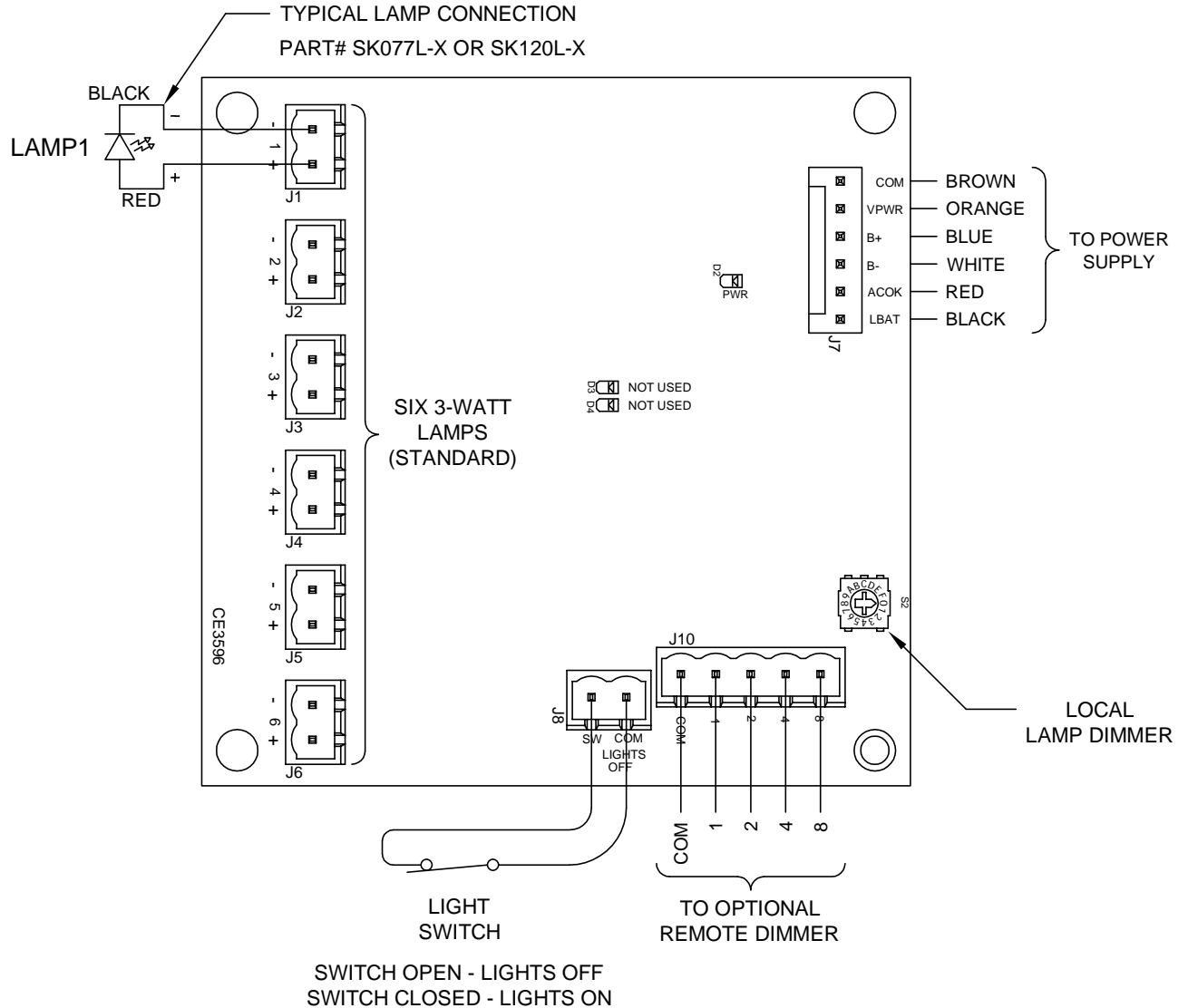
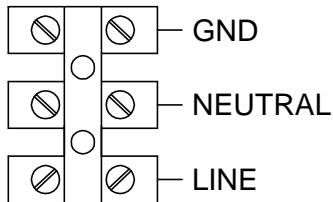
JOB# _____

SKDIM (OPTIONAL)



OPTIONAL BOARD VERSION CE2619 _____

UNIT POWER
100 - 240 VAC
50 - 60 Hz



CODE VERSION _____

BOARD VERSION CE3596 _____

| | | | |
|---|--------------------------------|---------------------|--|
| DATE DRAWN: 06/07/11 | DRAWN BY: DAC | REQUESTED BY: CS | C.E. ELECTRONICS, INC. 2107 Industrial Drive Bryan, Ohio 43506 (419) 636-6705 |
| BOARD NUMBER: 3596, 3558 | LAST DATE REVISED: 08/03/11 | APPROVED BY: | |
| PRODUCT SKLITE - 3W CAB LIGHTING BOARD | | | DWG. NO. SKLITE_01 |
| | | | REV: B |